



**PROSERIES**

# Trash Pump Operator's Manual



**BRIGGS & STRATTON POWER PRODUCTS GROUP, LLC**  
**JEFFERSON, WISCONSIN, U.S.A.**



Manual No. 205378GS Revision - (12/12/2007)

**Thank you** for purchasing this quality-built Briggs & Stratton trash pump. We are pleased that you've placed your confidence in the Briggs & Stratton brand. When operated and maintained according to the instructions in this manual, your Briggs & Stratton trash pump will provide many years of dependable service.

**This manual contains** safety information to make you aware of the hazards and risks associated with trash pumps and how to avoid them. This trash pump is designed and intended only for transferring water that may contain sand, dirt, and small debris. It is not intended for any other purpose. It is important that you read and understand these instructions thoroughly before attempting to start or operate this equipment. **Save these instructions for future reference.**

**This trash pump requires final assembly before use.** Refer to the *Assembly* section of this manual for instructions on final assembly procedures. Follow the instructions completely.

### Where to Find Us

You never have to look far to find Briggs & Stratton support and service for your trash pump. Consult your Yellow Pages. There are over 30,000 Briggs & Stratton authorized service dealers worldwide who provide quality service. You can also contact Briggs & Stratton Customer Service on the Internet at [BRIGGSandSTRATTON.COM](http://BRIGGSandSTRATTON.COM).

### Trash Pump

Model Number

--	--	--	--	--	--	--

Revision

--	--

Serial Number

--	--	--	--	--	--	--	--	--	--	--	--

### Engine

Model Number

--	--	--	--	--	--	--

Type Number

--	--	--	--	--	--	--	--

Code Number

--	--	--	--	--	--	--	--	--	--	--	--	--	--	--

### Date Purchased

--	--	--	--	--	--

Briggs & Stratton Power Products Group, LLC  
900 North Parkway  
Jefferson, WI 53549

Copyright © 2007 Briggs & Stratton Power Products Group, LLC. All rights reserved. No part of this material may be reproduced or transmitted in any form by any means without the express written permission of Briggs & Stratton Power Products Group, LLC.

# Table of Contents

<b>Operator Safety</b> .....	<b>4</b>
Equipment Description .....	4
Safety Rules .....	4
<b>Assembly</b> .....	<b>7</b>
Unpack Trash Pump .....	7
Add Engine Oil .....	7
Add Fuel .....	7
Attach Suction Hose .....	8
Connect Discharge Hose (Optional) .....	8
<b>Features and Controls</b> .....	<b>9</b>
<b>Operation</b> .....	<b>10</b>
Safe Operating Considerations .....	10
Move Trash Pump to Safe Operating Location .....	10
Prime the Trash Pump .....	11
Locate Strainer Basket Into Water Source .....	11
Starting the Trash Pump .....	12
Stopping the Trash Pump .....	12
After Each Use .....	13
<b>Maintenance</b> .....	<b>14</b>
Maintenance Schedule .....	14
Trash Pump Maintenance .....	14
Engine Maintenance .....	14
Storage .....	17
<b>Troubleshooting</b> .....	<b>18</b>
<b>Warranty</b> .....	<b>19</b>
Trash Pump Owner Warranty .....	19
<b>Specifications</b> .....	<b>20</b>
Product Specifications .....	20
Common Service Parts .....	20

Safety

Assembly

Controls

Operation

Maintenance

Troubleshooting

Warranty

# Operator Safety

## Equipment Description



Read this manual carefully and become familiar with your trash pump. Know its applications, its limitations and any hazards involved.

This trash pump can be used for transferring water that may contain sand, dirt, and small debris. Model 073023 can pump water containing solids up to 0.8 inches in diameter. Model 073024 can pump water containing solids up to 1.2 inches in diameter.



### CAUTION

These trash pumps are manufactured to pump ONLY water that is not intended for human consumption.

Every effort has been made to ensure that information in this manual is accurate and current. However, we reserve the right to change, alter or otherwise improve the product and this document at any time without prior notice.

The Emissions Control System for this trash pump is warranted for standards set by the Environmental Protection Agency and the California Air Resources Board.

## Safety Rules



This is the safety alert symbol. It is used to alert you to potential personal injury hazards. Obey all safety messages that follow this symbol to avoid possible injury or death.

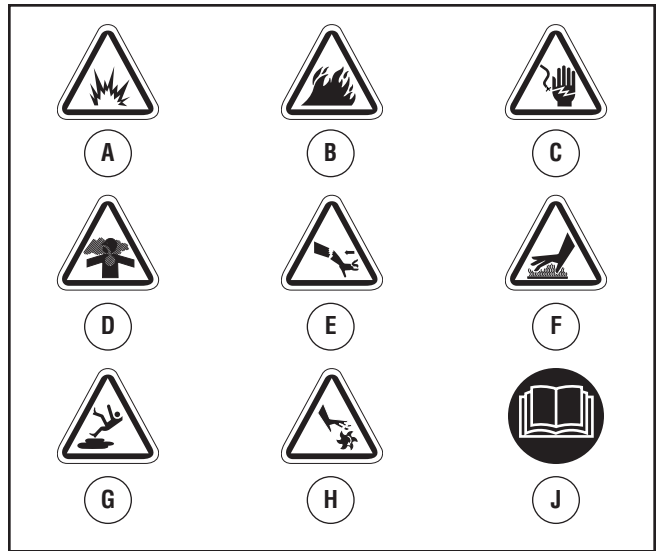
The safety alert symbol () is used with a signal word (DANGER, CAUTION, WARNING), a pictorial and/or a safety message to alert you to hazards. **DANGER** indicates a hazard which, if not avoided, *will* result in death or serious injury. **WARNING** indicates a hazard which, if not avoided, *could* result in death or serious injury. **CAUTION** indicates a hazard which, if not avoided, *might* result in minor or moderate injury. **NOTICE**, indicates a situation that could result in equipment damage. Follow safety messages to avoid or reduce the risk of injury or death.



### WARNING



The engine exhaust from this product contains chemicals known to the State of California to cause cancer, birth defects, or other reproductive harm.



## Hazard Symbols and Meanings









- A - Explosion
- B - Fire
- C - Electric Shock
- D - Toxic Fumes
- E - Kickback



- F - Hot Surface
- G - Slippery Surface
- H - Moving Parts
- J - Read Manual




 <b>WARNING</b>	
	<p>Running engine gives off carbon monoxide, an odorless, colorless, poison gas.</p> <p>Breathing carbon monoxide can cause headache, fatigue, dizziness, vomiting, confusion, seizures, nausea, fainting or death.</p>
<ul style="list-style-type: none"> <li>• Operate trash pump ONLY outdoors.</li> <li>• Keep exhaust gas from entering a confined area through windows, doors, ventilation intakes, or other openings.</li> <li>• DO NOT start or run engine indoors or in an enclosed area, even if windows and doors are open.</li> </ul>	



 <b>WARNING</b>	
	<p>Use of trash pump can create puddles and slippery surfaces.</p>
<ul style="list-style-type: none"> <li>• Operate trash pump from a stable surface.</li> <li>• The area should have adequate slopes and drainage to reduce the possibility of a fall due to slippery surfaces.</li> </ul>	


 <b>WARNING</b>	
 	<p>Unintentional sparking can result in fire or electric shock.</p>
<p><b>WHEN ADJUSTING OR MAKING REPAIRS TO YOUR TRASH PUMP</b></p> <ul style="list-style-type: none"> <li>• Disconnect the spark plug wire from the spark plug and place the wire where it cannot contact spark plug.</li> </ul> <p><b>WHEN TESTING FOR ENGINE SPARK</b></p> <ul style="list-style-type: none"> <li>• Use approved spark plug tester.</li> <li>• DO NOT check for spark with spark plug removed.</li> </ul>	

 <b>WARNING</b>	
 	<p>Fuel and its vapors are extremely flammable and explosive.</p> <p>Fire or explosion can cause severe burns or death.</p>
<p><b>WHEN ADDING OR DRAINING FUEL</b></p> <ul style="list-style-type: none"> <li>• Turn trash pump OFF and let it cool at least 2 minutes before removing fuel cap. Loosen cap slowly to relieve pressure in tank.</li> <li>• Fill or drain fuel tank outdoors.</li> <li>• DO NOT overfill tank. Allow space for fuel expansion.</li> <li>• If fuel spills, wait until it evaporates before starting engine.</li> <li>• Keep fuel away from sparks, open flames, pilot lights, heat, and other ignition sources.</li> <li>• DO NOT light a cigarette or smoke.</li> </ul> <p><b>WHEN STARTING EQUIPMENT</b></p> <ul style="list-style-type: none"> <li>• Ensure spark plug, muffler, fuel cap, and air cleaner are in place.</li> <li>• DO NOT crank engine with spark plug removed.</li> </ul> <p><b>WHEN OPERATING EQUIPMENT</b></p> <ul style="list-style-type: none"> <li>• DO NOT pump flammable liquids, such as fuel or fuel oils.</li> <li>• This trash pump is not for use in mobile equipment or marine applications.</li> <li>• DO NOT tip engine or equipment at angle which causes fuel to spill.</li> <li>• Secure trash pump. Loads from hoses may cause tipover.</li> </ul> <p><b>WHEN TRANSPORTING OR REPAIRING EQUIPMENT</b></p> <ul style="list-style-type: none"> <li>• Transport/repair with fuel tank EMPTY or with fuel shutoff valve OFF.</li> <li>• Disconnect spark plug wire.</li> </ul> <p><b>WHEN STORING FUEL OR EQUIPMENT WITH FUEL IN TANK</b></p> <ul style="list-style-type: none"> <li>• Store away from furnaces, stoves, water heaters, clothes dryers, or other appliances that have pilot light or other ignition source because they can ignite fuel vapors.</li> </ul>	

 <b>WARNING</b>	
	<p>Starter cord kickback (rapid retraction) can result in bodily injury. Kickback will pull hand and arm toward engine faster than you can let go.</p> <p>Broken bones, fractures, bruises, or sprains could result.</p> <p>Keep hands and body clear from discharge of pump.</p>
<ul style="list-style-type: none"> <li>• When starting engine, pull cord slowly until resistance is felt and then pull rapidly to avoid kickback.</li> <li>• Secure discharge hose to avoid whipping.</li> </ul>	

 <b>WARNING</b>	
	<p>Contact with muffler area can result in serious burns.</p>
	<p>Exhaust heat/gases can ignite combustibles, structures or damage fuel tank causing a fire.</p>
<ul style="list-style-type: none"> <li>• DO NOT touch hot parts and AVOID hot exhaust gases.</li> <li>• Allow equipment to cool before touching.</li> <li>• Keep at least 5 feet (1.5 m) of clearance on all sides of trash pump including overhead.</li> </ul>	

 <b>WARNING</b>	
	<p>Starter and other rotating parts can entangle hands, hair, clothing, or accessories.</p>
<ul style="list-style-type: none"> <li>• NEVER place hands or body parts inside of running pump or hoses.</li> <li>• NEVER operate trash pump without protective housing or covers.</li> <li>• DO NOT wear loose clothing, jewelry or anything that may be caught in the starter or other rotating parts.</li> <li>• Tie up long hair and remove jewelry.</li> </ul>	

 <b>CAUTION</b>	
<p>Excessively high operating speeds increase risk of injury and damage to trash pump.</p> <p>Excessively low speeds impose a heavy load.</p>	
<ul style="list-style-type: none"> <li>• DO NOT tamper with governed speed.</li> <li>• DO NOT modify trash pump in any way.</li> <li>• DO NOT allow unqualified persons or children to operate or service trash pump.</li> </ul>	

<b>NOTICE</b>	
<p>Improper treatment of trash pump can damage it and shorten its life.</p>	
<ul style="list-style-type: none"> <li>• If you have questions about intended use, ask dealer or contact qualified service center.</li> <li>• Be sure pump chamber is filled with water before starting the engine. Never run pump without priming.</li> <li>• Use a non-collapsible hose on the suction side of pump.</li> <li>• Use trash pump only for intended uses.</li> <li>• Pumping sea water, beverages, acids, chemical solutions, or any other liquid that promotes corrosion can damage the pump.</li> <li>• Ensure all connections are air tight.</li> <li>• DO NOT obstruct the suction or discharge hose in any way.</li> <li>• NEVER operate pump without strainer basket connected to end of suction hose.</li> <li>• DO NOT exceed suction head maximum of 8m (25 ft.) and total head of 35.6m (117 ft.). Use shortest suction head possible (see page 11).</li> <li>• NEVER allow vehicles to drive over hoses. If a hose must be positioned across a roadway, use planking on each side of hose to allow vehicles to pass over without obstructing or collapsing hose.</li> <li>• Anchor pump to avoid “walking” or equipment movement, especially if located near a ditch or edge of open ravine. The equipment could fall in.</li> <li>• Keep equipment away from edge of river or lake where it could cause the bank to collapse.</li> <li>• DO NOT insert any objects through cooling slots.</li> <li>• NEVER operate units with broken or missing parts, or without protective housing or covers.</li> <li>• DO NOT by-pass any safety device on this machine.</li> <li>• NEVER move machine by pulling on hoses. Use frame on unit.</li> <li>• Check fuel system for leaks or signs of deterioration, such as chafed or spongy hose, loose or missing clamps, or damaged tank or cap. Correct all defects before operating trash pump.</li> <li>• This equipment is designed to be used with Briggs &amp; Stratton Power Products authorized parts <b>ONLY</b>. If equipment is used with parts that DO NOT comply with minimum specifications, user assumes all risks and liabilities.</li> </ul>	

# Assembly



**Read entire operator's manual before you attempt to assemble or operate your new trash pump.**

Your trash pump requires some assembly and is ready for use after it has been properly serviced with the recommended oil and fuel.

If you have any problems with the assembly of your trash pump, please contact your local Briggs & Stratton service center. If calling for assistance, please have the model, revision, and serial number from the data tag available. See Controls section for data tag location.

## Unpack Trash Pump

1. Remove the parts bag, accessories, and inserts included with trash pump.
2. Open carton completely by cutting each corner from top to bottom.
3. Ensure you have all included items prior to assembly.

### Items in the carton include:

- Trash pump
- Parts bag (which includes the following):
  - This operator's manual
  - Owner's registration card
  - Strainer basket and barb
  - Hose barb (2)
  - Barb cuff (2)
  - Rubber seal (2)
  - Hose clamp (3)

### To prepare your trash pump for operation, you will need to perform these tasks:

1. Fill out and send in registration card.
2. Add oil to engine crankcase.
3. Add fuel to fuel tank.
4. Attach suction hose.
5. Connect discharge hose (optional).
6. Move trash pump to safe operating location.
7. Prime the trash pump.
8. Locate strainer basket into water source.

## Add Engine Oil

1. Place trash pump on a flat, level surface.
2. Clean area around oil fill and remove yellow oil fill cap.

**NOTE:** See *Oil Recommendations* in *Maintenance* section.

3. Using oil funnel (optional), slowly pour engine oil into oil fill opening to the point of overflowing.

### NOTICE

Improper treatment of trash pump can damage it and shorten its life.

- DO NOT attempt to crank or start the engine before it has been properly serviced with the recommended oil. This may result in an engine failure.

4. Replace oil fill cap and fully tighten.

## Add Fuel

### Fuel must meet these requirements:

- Clean, fresh, unleaded gasoline.
- A minimum of 87 octane/87 AKI (91 RON). High altitude use, see *High Altitude*.
- Gasoline with up to 10% ethanol (gasohol) or up to 15% MTBE (methyl tertiary butyl ether) is acceptable.

### NOTICE

Avoid trash pump damage.

Failure to follow Operator's Manual for fuel recommendations voids warranty.

- DO NOT use unapproved gasoline such as E85.
- DO NOT mix oil in gasoline.
- DO NOT modify engine to run on alternate fuels.

To protect the fuel system from gum formation, mix in a fuel stabilizer when adding fuel. See *Storage*. All fuel is not the same. If you experience starting or performance problems after using fuel, switch to a different fuel provider or change brands. This engine is certified to operate on gasoline. The emission control system for this engine is EM (Engine Modifications).



### WARNING



Fuel and its vapors are extremely flammable and explosive.

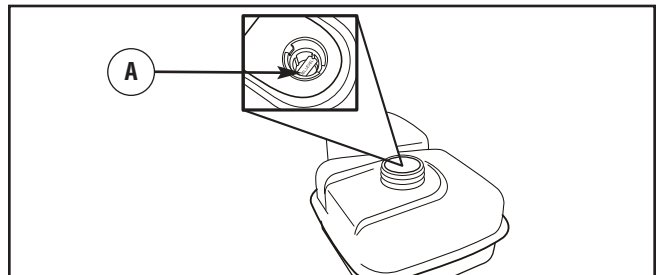


Fire or explosion can cause severe burns or death.

### WHEN ADDING FUEL

- Turn trash pump OFF and let it cool at least 2 minutes before removing fuel cap. Loosen cap slowly to relieve pressure in tank.
- Fill fuel tank outdoors.
- DO NOT overfill tank. Allow space for fuel expansion.
- If fuel spills, wait until it evaporates before starting engine.
- Keep fuel away from sparks, open flames, pilot lights, heat, and other ignition sources.
- DO NOT light a cigarette or smoke.

1. Clean area around fuel fill cap, remove cap.
2. Slowly add regular unleaded fuel to fuel tank. Fill to red level indicator (**A**). Be careful not to overfill.



3. Install fuel cap and let any spilled fuel evaporate before starting engine.

### High Altitude

At altitudes over 5,000 feet (1524 meters), a minimum 85 octane / 85 AKI (89 RON) gasoline is acceptable. To remain emissions compliant, high altitude adjustment is required. Operation without this adjustment will cause decreased performance, increased fuel consumption, and increased emissions. See an Authorized Briggs & Stratton dealer for high altitude adjustment information. Operation of the engine at altitudes below 2,500 feet (762 meters) with the high altitude kit is not recommended.

### Attach Suction Hose

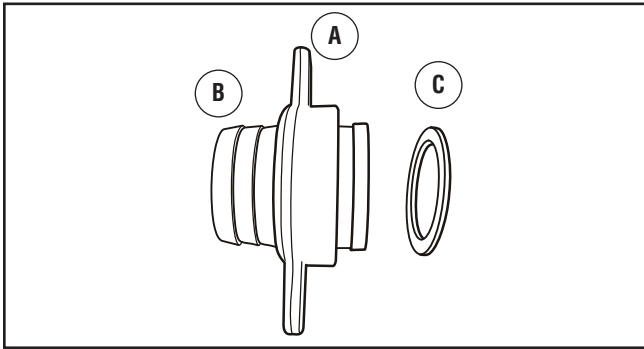
You will need the following tool to install the hoses to the trash pump:

- 1/4" or 6mm standard screwdriver

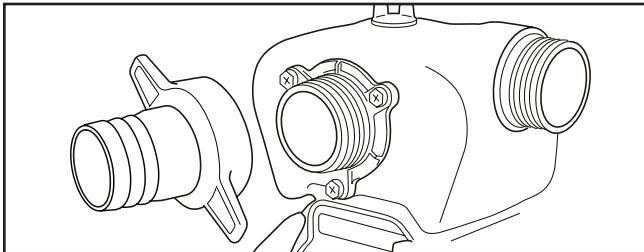
#### Connect Suction Hose to Pump

Use a commercially available hose. The suction hose must be reinforced with a non-collapsible wall or braided material. DO NOT use a hose with an inside diameter smaller than the pumps suction port size.

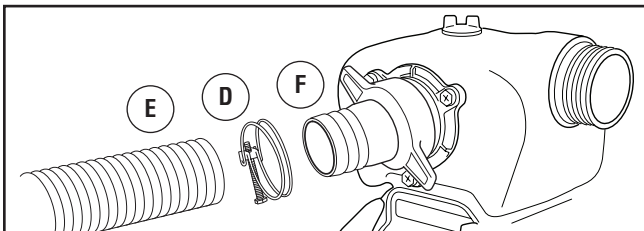
1. Slide barb cuff (A) over hose barb (B). Insert rubber seal (C) into end of barb cuff.



2. Screw hose barb assembly onto pump in clockwise rotation until hose barb assembly is tightened securely.

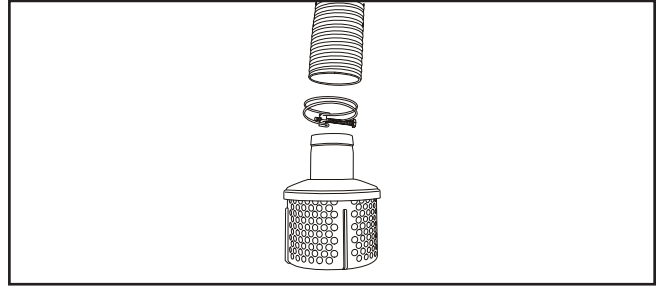


3. Slide hose clamp (D) over end of hose (E). Slide suction hose onto hose barb (F). Tighten hose clamp securely using a standard 1/4" (6mm) screwdriver.



### Attach Suction Hose to Strainer Basket

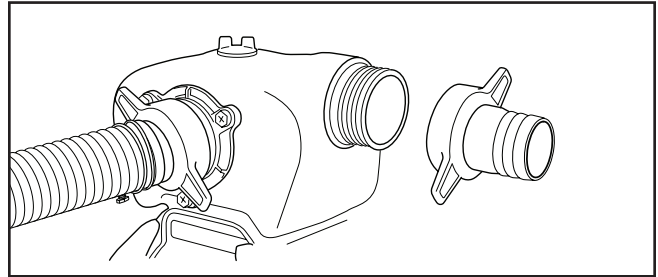
Slide hose clamp over hose. Attach open end of suction hose to strainer hose barb. Tighten hose clamp securely using a standard 1/4" (6mm) screwdriver.



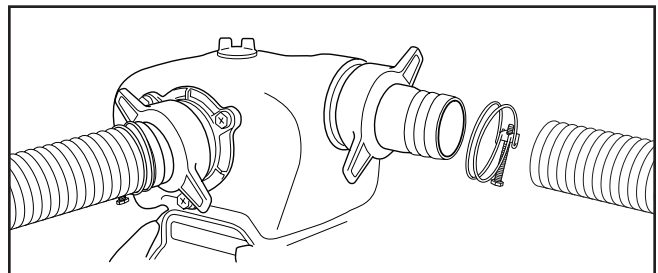
### Connect Discharge Hose (Optional)

If desired, use a commercially available hose. DO NOT use a hose with an inside diameter smaller than the pump's discharge port size.

1. Slide barb cuff over hose barb. Insert rubber seal into end of barb cuff as shown earlier.
2. Screw hose barb assembly onto pump in clockwise rotation until hose barb assembly is tightened securely.



3. Slide hose clamp over end of discharge hose. Slide discharge hose onto hose barb. Tighten hose clamp securely using a standard 1/4" (6mm) screwdriver.





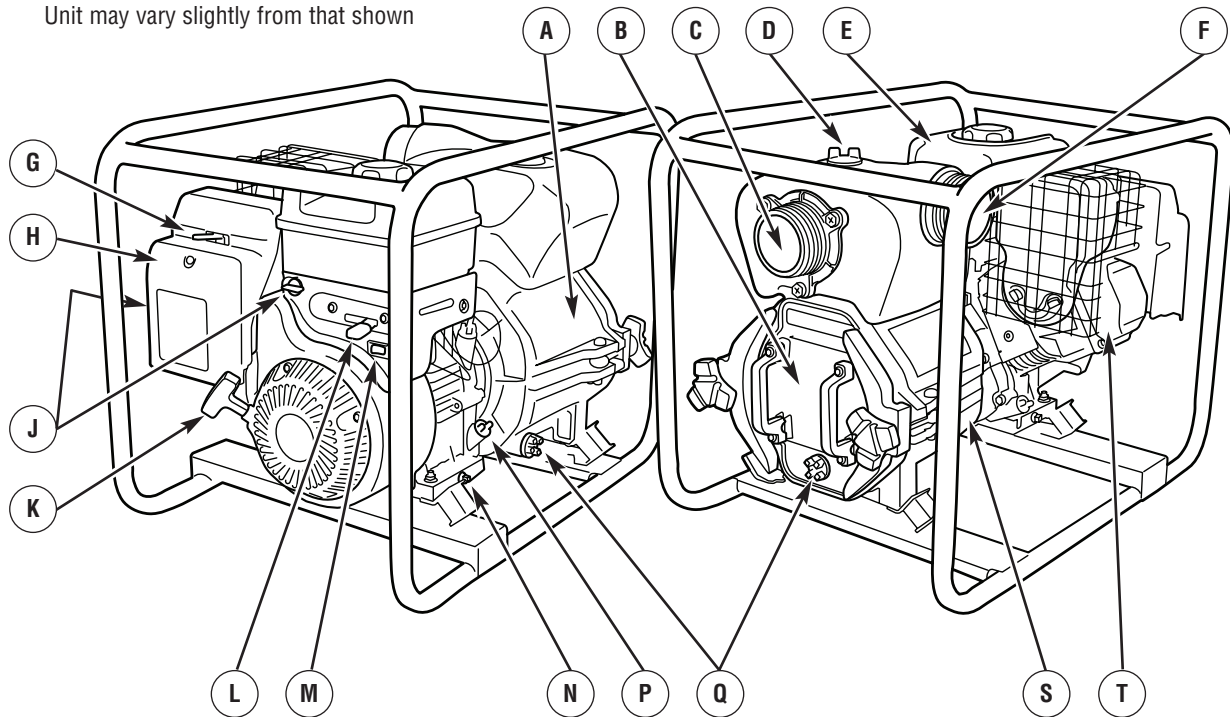
## Features and Controls



**Read this Operator's Manual and safety rules before operating your trash pump.**

Compare the illustrations with your trash pump, to familiarize yourself with the locations of various controls and adjustments. Save this manual for future reference.

Unit may vary slightly from that shown



Controls

**A - Data Tag** — Provides model and serial number of trash pump. Please have these readily available if calling for assistance.

**B - Pump Faceplate** — Remove to clean impeller.

**C - Suction Inlet** — Connect reinforced suction hose here.

**D - Priming Plug** — Fill pump with water here to prime pump before starting.

**E - Fuel Tank** — Fill tank with regular unleaded fuel. Always leave room for fuel expansion.

**F - Discharge Outlet** — Connect discharge hose here.

**G - Choke Lever** — Prepares a cold engine for starting.

**H - Air Cleaner** — Protects engine by filtering dust and debris out of intake air.

**J - Fuel Shutoff Valve** — Used to turn fuel supply on and off to engine.

Model 073023 — located behind the air cleaner on the carburetor.

Model 073024 — located to the left of the engine speed lever on the engine control panel.

**K - Recoil Starter** — Used for starting the engine manually.

**L - Engine Speed Lever** — Used to adjust engine speed to control pump output.

**M - On/Off Switch** — Set this switch to “On” before using recoil starter. Set switch to “Off” to stop a running engine.

**N - Oil Drain** — Drain engine oil here.

**P - Oil Fill** — Check and add engine oil here.

**Q - Water Drain Plugs** — Remove to drain water from pump and flush internal components with clean water.

**S - Pump Chamber** — Be sure to fill with water before starting.

**T - Engine Information** — Stamped on valve cover. Provides model, type and trim number of engine. Please have these readily available when calling for assistance.

### Item Not Shown:



**Strainer Basket** — Used to limit passage of abrasive materials into the pump.

# Operation



If you have any problems operating your trash pump, please contact your local Briggs & Stratton service center.

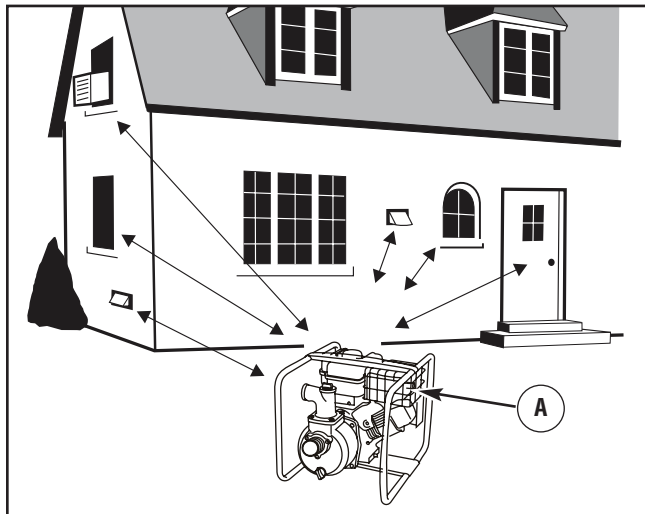
## Safe Operating Considerations

### Clearances and Air Movement

 <b>WARNING</b>	
	Exhaust heat/gases can ignite combustibles, structures or damage fuel tank causing a fire.
<ul style="list-style-type: none"> <li>Keep at least 5 ft. (1.5 m) clearance on all sides of trash pump including overhead.</li> </ul>	

Place trash pump outdoors in an area that will not accumulate deadly exhaust gas. **DO NOT** place trash pump where exhaust gas (A) could accumulate and enter inside or be drawn into a potentially occupied building. Ensure exhaust gas is kept away from any windows, doors, ventilation intakes, or other openings that can allow exhaust gas to collect in a confined area. Prevailing winds and air currents should be taken into consideration when positioning trash pump.

 <b>WARNING</b>	
	Running engine gives off carbon monoxide, an odorless, colorless, poison gas. Breathing carbon monoxide can cause headache, fatigue, dizziness, vomiting, confusion, seizures, nausea, fainting or death.
<ul style="list-style-type: none"> <li>Operate trash pump <b>ONLY</b> outdoors.</li> <li>Keep exhaust gas from entering a confined area through windows, doors, ventilation intakes, or other openings.</li> <li><b>DO NOT</b> start or run engine indoors or in an enclosed area, even if windows and doors are open.</li> </ul>	



Operation

### What is "Head"?

Head refers to the height of a column of water that can be delivered by the discharge of the pump.

Suction Head is the vertical distance between the center of the pump and the surface of the liquid on the suction side of the pump. May also be referred to as "suction lift". The atmospheric pressure of 14.7 psi at sea level limits suction head lift to less than approximately 26 feet for any pump.

Discharge Head is the vertical distance between the pump's discharge port and the point of discharge, which is the liquid surface if the hose is submerged or pumping into the bottom of a tank.

Total Head is the sum of the suction head value plus the discharge head value.

As water pumping height increases, pump output decreases. The length, type, and size of the suction and discharge hoses can also significantly affect pump output.




It is important for the suction operation to be the shorter part of the total pumping action. This will decrease the priming time and improve pump performance by increasing the discharge head.

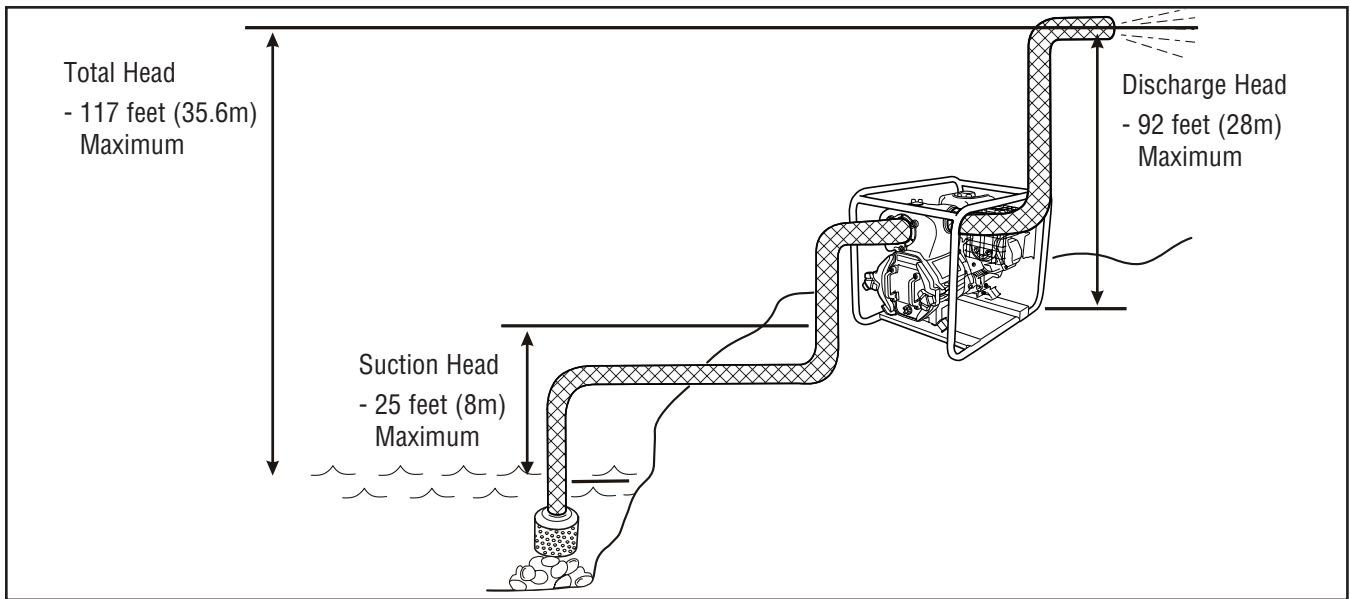
Suction head is a maximum of 25 feet and discharge head should be a maximum of 92 feet. Total head can not be more than 117 feet as shown on next page.

### Move Trash Pump to Safe Operating Location

For best pump performance, locate the pump on a flat, level surface as close as possible to the water to be pumped. Secure trash pump to avoid tipover. Use hoses that are no longer than necessary.

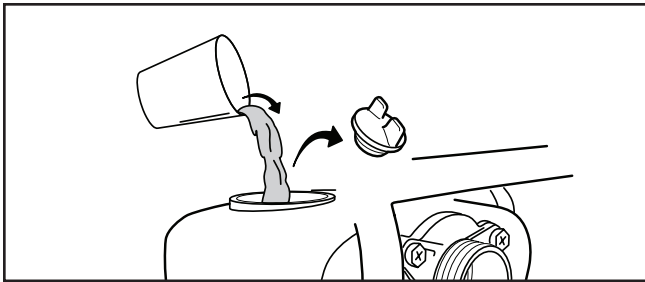
**IMPORTANT:** Direct open end of discharge hose away from home, electrical devices or anything not desired to get wet.

 <b>WARNING</b>	
	Fuel and its vapors are extremely flammable and explosive.
	Fire or explosion can cause severe burns or death.
<b>WHEN OPERATING EQUIPMENT</b>	
<ul style="list-style-type: none"> <li>This trash pump is not for use in mobile equipment or marine applications.</li> <li><b>DO NOT</b> tip engine or equipment at angle which causes fuel to spill.</li> <li>Secure trash pump. Loads from hoses may cause tip over.</li> </ul>	



### Prime the Trash Pump

1. Remove priming plug from top of pump.



2. Fill pump with clean, clear water up to top of discharge outlet.
3. Replace priming plug.

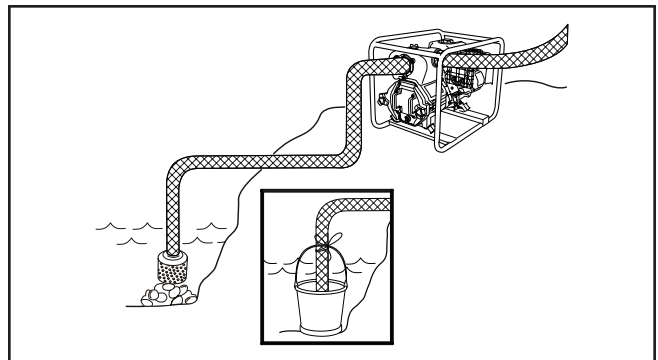
#### NOTICE

Improper treatment of trash pump can damage it and shorten its life.

- Be sure pump chamber is filled with water before starting the engine. NEVER run pump without priming.

### Locate Strainer Basket Into Water Source

Place strainer basket into water to be pumped. Basket must be fully immersed in water.



#### NOTICE

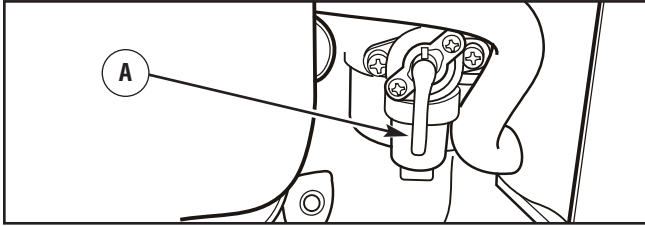
Improper treatment of trash pump can damage it and shorten its life.

- NEVER operate pump without strainer connected to end of suction hose.
- Keep strainer out of sand or silt, place in bucket or on stones.
- DO NOT let pump run dry or damage to seals may result.

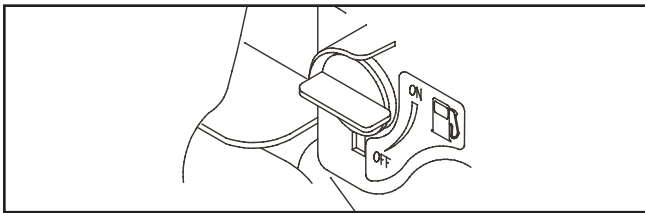
## Starting the Trash Pump

Use the following start instructions:

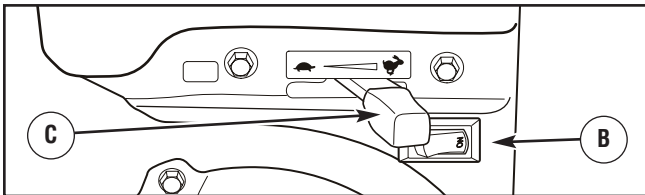
1. Make sure unit is on a flat, level surface and pump chamber is primed.
2. Model 073023 — Turn fuel valve (A) to “On” position. The fuel valve handle will be vertical (pointing toward the ground).



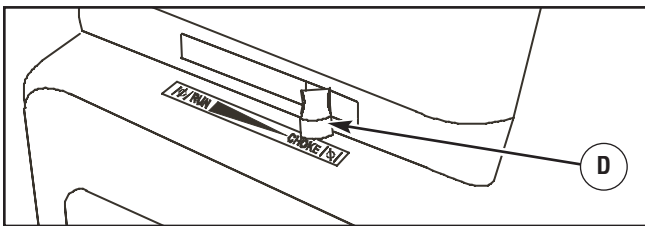
Model 073024 — Turn fuel valve to “On” position.



3. Push ON/OFF switch (B) to “On” position.



4. Move engine speed lever (C) to “Fast” (↗) position.
5. Move choke lever (D) to “Choke” (↘) position.



6. Grasp recoil handle and pull slowly until slight resistance is felt. Then pull handle rapidly to overcome compression, prevent kickback and start engine.

### WARNING



Starter cord kickback (rapid retraction) can result in bodily injury. Kickback will pull hand and arm toward engine faster than you can let go. Broken bones, fractures, bruises, or sprains could result.

- When starting engine, pull cord slowly until resistance is felt and then pull rapidly to avoid kickback.

**IMPORTANT:** If excessive fuel is present in the air/fuel mixture causing a “flooded” condition, move choke lever to “Run” (↕) position and pull handle repeatedly until engine starts.

7. Move choke lever to “Run” (↕) position a short distance at a time over several seconds in warm weather or minutes in cold weather. Let engine run smoothly before each change. Operate with choke in “Run” (↕) position.

**IMPORTANT:** It may take a few minutes for trash pump to begin pumping water.

Pump output is controlled by adjusting engine speed. Moving the engine speed lever in the “Fast” (↗) direction will increase pump output, and moving the engine speed lever in the “Slow” (↙) direction will decrease pump output.

### WARNING



Contact with muffler area can result in serious burns.



Exhaust heat/gases can ignite combustibles, structures or damage fuel tank causing a fire.

- DO NOT touch hot parts and AVOID hot exhaust gases.
- Allow equipment to cool before touching.
- Keep at least 5 feet (1.5 m) of clearance on all sides of trash pump including overhead.

## Stopping the Trash Pump

1. Move engine speed lever to “Slow” (↙) position.
2. Push on/off switch to “Off” position.
3. Turn fuel valve to “Off” position.

### WARNING



Backfire, fire or engine damage could occur.




- DO NOT stop engine by moving choke control to “Choke” position.

## After Each Use

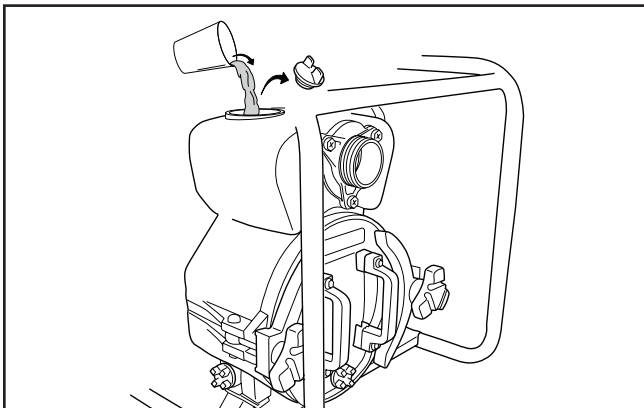
Water should not remain in the pump chamber for long periods of time. Sediments and minerals can deposit on pump parts and cause poor pump performance. Follow these procedures after every use:

### Flush and Drain Trash Pump and Clean the Impeller

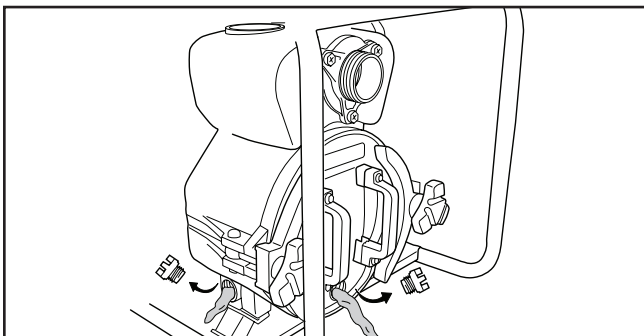
1. Stop engine following instructions in *Stopping the Trash Pump*.
2. Disconnect the spark plug wire from the spark plug and place the wire where it cannot contact spark plug.

 <b>WARNING</b>	
 	Unintentional sparking can result in fire or electric shock.
• NEVER pull recoil starter handle with spark plug removed.	

3. Disconnect and drain suction and discharge hoses.
4. Remove priming plug from top of pump and fill with clean water.

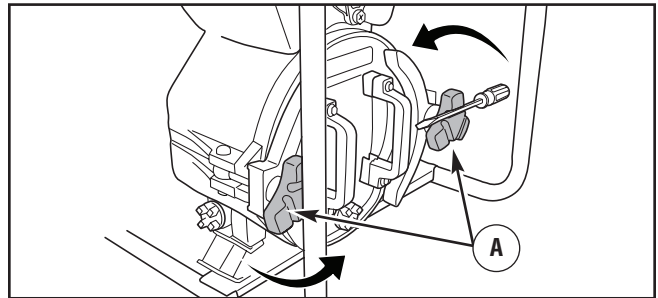


5. Remove both drain plugs at bottom of pump.

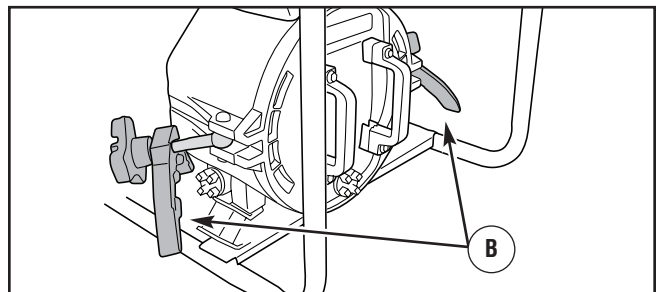


6. Replace all plugs and finger tighten.

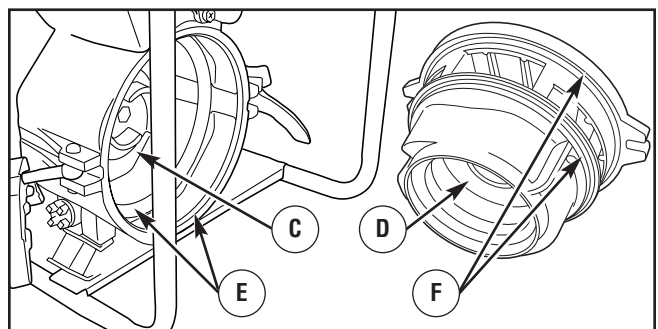
7. Loosen the two large triangular knobs (A), inserting a tool in the grooves on the knobs to assist with leverage.



8. Swing the faceplate clamps (B) to the side.



9. Remove the faceplate from the pump chamber.
10. Clean out any debris inside the impeller (C) and the volute (D). The volute is bolted to the inside of the pump faceplate, and should not need to be removed. A garden hose can be used to flush out either area.
11. To ensure a good seal, clean the sealing surfaces (E) in the pump chamber and the o-rings on the faceplate (F) before reinstalling the faceplate.



12. Reinstall the faceplate with the drain plug at the bottom.
13. Bring the faceplate clamps back to the front, fitting them securely onto the faceplate.
14. Screw down the two large triangular knobs, inserting a tool in the grooves on the knobs to tighten firmly.

# Maintenance

## Maintenance Schedule

Follow the hourly or calendar intervals, whichever occurs first. More frequent service is required when operating in adverse conditions noted below.

<b>First 5 Hours</b>
• Change engine oil
<b>Every 8 Hours or Daily</b>
• Clean debris
• Check engine oil level
<b>Every 25 Hours or Yearly</b>
• Service engine air cleaner <sup>1</sup>
<b>Every 50 Hours or Yearly</b>
• Change engine oil <sup>1</sup>
• Service spark arrester
<b>Every 100 Hours or Yearly</b>
• Service spark plug
• Clean cooling system <sup>1</sup>
<b>Every 250 Hours or Yearly</b>
• Check valve clearance <sup>2</sup>

<sup>1</sup> Service more often under dirty or dusty conditions.

<sup>2</sup> Model 073024 only.

## General Recommendations

Regular maintenance will improve the performance and extend the life of the trash pump. See any authorized Briggs & Stratton dealer for service.

The trash pump's warranty does not cover items that have been subjected to operator abuse or negligence. To receive full value from the warranty, the operator must maintain trash pump as instructed in this manual.

Some adjustments will need to be made periodically to properly maintain your trash pump.

All service and adjustments should be made at least once each season. Follow the requirements in the Maintenance Schedule chart above.

**NOTE:** Once a year you should clean or replace the spark plug and replace the air filter. A new spark plug and clean air filter assure proper fuel-air mixture and help your engine run better and last longer.

## Trash Pump Maintenance

Maintenance consists of keeping the trash pump clean. Store the unit in a clean dry environment where it will not be exposed to excessive dust, dirt, moisture or any corrosive vapors. Cooling air slots in the trash pumps engine must not become clogged with dirt, leaves or any other foreign material.

**NOTE:** DO NOT use a garden hose to clean trash pumps engine. Water can enter engine fuel system and cause problems.

## Cleaning

Daily or before use, look around and underneath trash pump for signs of oil or fuel leaks. Clean accumulated debris from inside and outside trash pump. Keep linkage, spring and other engine controls clean. Keep area around and behind muffler free from any combustible debris. Use low pressure air (not to exceed 25 psi) to blow away dirt. Inspect cooling air slots and opening on trash pump. These openings must be kept clean and unobstructed.




Engine parts should be kept clean to reduce the risk of overheating and ignition of accumulated debris.

- Use a damp cloth to wipe exterior surfaces clean.
- Use a soft bristle brush to loosen caked on dirt or oil.
- Use a vacuum cleaner to pick up loose dirt and debris.

Remove silt and sludge buildup in pump body.

- Follow the instructions in *Flush and Drain Trash Pump and Clean the Impeller*.

## Engine Maintenance

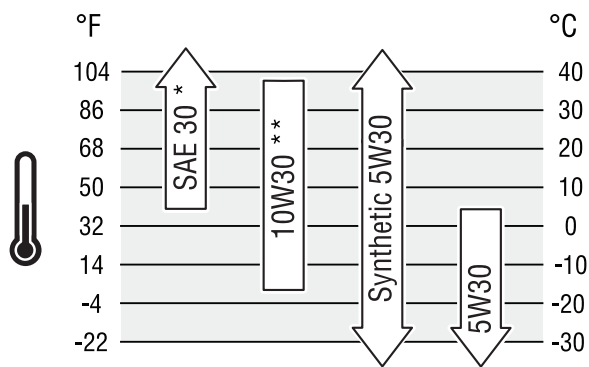
 <b>WARNING</b>	
 	<p>Unintentional sparking can result in fire or electric shock.</p>
<p><b>WHEN ADJUSTING OR MAKING REPAIRS TO YOUR TRASH PUMP</b></p> <ul style="list-style-type: none"> <li>• Disconnect the spark plug wire from the spark plug and place the wire where it cannot contact spark plug.</li> </ul>	
<p><b>WHEN TESTING FOR ENGINE SPARK</b></p> <ul style="list-style-type: none"> <li>• Use approved spark plug tester.</li> <li>• DO NOT check for spark with spark plug removed.</li> </ul>	

## Oil

### Oil Recommendations

We recommend the use of Briggs & Stratton Warranty Certified oils for best performance. Other high-quality detergent oils are acceptable if classified for service SF, SG, SH, SJ or higher. DO NOT use special additives.

Outdoor temperatures determine the proper oil viscosity for the engine. Use the chart to select the best viscosity for the outdoor temperature range expected.



\* Below 40°F (4°C) the use of SAE 30 will result in hard starting.

\*\* Above 80°F (27°C) the use of 10W30 may cause increased oil consumption. Check oil level more frequently.



**NOTE:** Synthetic oil meeting ILSAC GF-2, API certification mark and API service symbol with “SJ/CF ENERGY CONSERVING” or higher, is an acceptable oil at all temperatures. Use of synthetic oil does not alter required oil change intervals.

### Checking Oil Level

Oil level should be checked prior to each use or at least every 8 hours of operation. Keep oil level maintained.

1. Make sure trash pump is on a level surface.
2. Clean area around oil fill and remove oil fill cap.
3. Verify oil is at the point of overflowing at oil fill opening.
4. Replace and tighten oil fill cap.

### Adding Engine Oil

1. Make sure trash pump is on a level surface.
2. Check oil level as described in *Checking Oil Level*.
3. If needed, slowly pour oil into oil fill opening to the point of overflowing at oil fill.
4. Replace and tighten oil fill cap.

### Changing Engine Oil

Change the oil after the first 5 hours of operation. Change oil every 50 hours thereafter. If you are using your trash pump under extremely dirty or dusty conditions, or in extremely hot weather, change the oil more often.

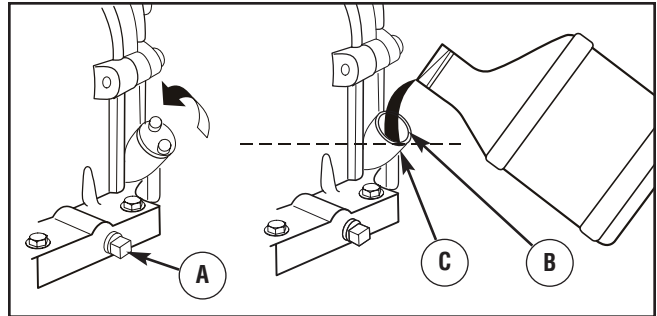
	<b>CAUTION</b>
Avoid prolonged or repeated skin contact with used motor oil.	
<ul style="list-style-type: none"> <li>• Used motor oil has been shown to cause skin cancer in certain laboratory animals.</li> <li>• Thoroughly wash exposed areas with soap and water.</li> </ul>	



KEEP OUT OF REACH OF CHILDREN. DON'T POLLUTE. CONSERVE RESOURCES. RETURN USED OIL TO COLLECTION CENTERS.

Change the oil while the engine is still warm from running, as follows:

1. Make sure trash pump is on a level surface.
2. Disconnect the spark plug wire from the spark plug and place the wire where it cannot contact spark plug.
3. Clean area around oil drain plug (A). The oil drain plug is located at base of engine, opposite carburetor.



4. Remove oil drain plug and drain oil completely into a suitable container.
5. Reinstall oil drain plug and tighten securely. Remove oil fill cap.
6. Slowly pour oil into oil fill opening (B) to the point of overflowing (C) at oil fill cap. DO NOT overfill.
7. Reinstall oil fill cap. Finger tighten cap securely.
8. Wipe up any spilled oil.

### Service Air Cleaner

Your engine will not run properly and may be damaged if you run it with a dirty air cleaner.

Clean or replace the air cleaner every 25 hours of operation or once each year, whichever comes first. Clean or replace more often if operating under dirty or dusty conditions.

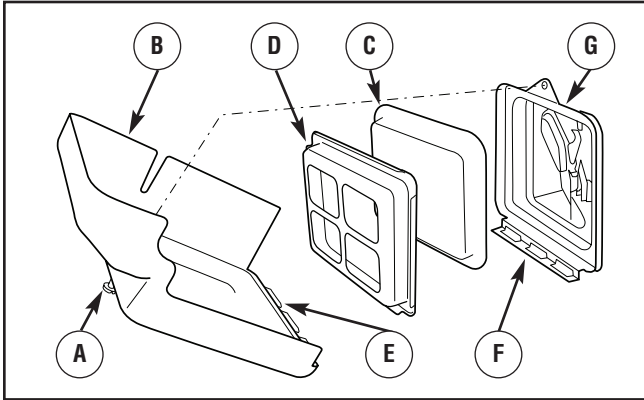
<b>WARNING</b>	
	Fuel and its vapors are extremely flammable and explosive.
	Fire or explosion can cause severe burns or death.
<ul style="list-style-type: none"> <li>• NEVER start or run the engine with the air cleaner assembly or the foam air cleaner removed.</li> </ul>	

<b>NOTICE</b>	
DO NOT use pressurized air or solvents to clean the foam air cleaner.	
<ul style="list-style-type: none"> <li>• Pressurized air can damage the foam air cleaner and solvents will dissolve the foam air cleaner.</li> </ul>	

Maintenance

To service the air cleaner, follow these steps:

1. Loosen screw (A) and tilt cover (B) down.



2. Remove air cleaner assembly from cover.
3. Carefully separate foam air cleaner (C) from air cleaner plate (D).
4. Wash foam air cleaner in liquid detergent and water. To dry, squeeze foam air cleaner in a clean cloth.

### NOTICE

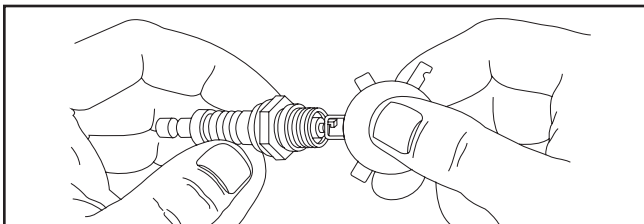
DO NOT use pressurized air or solvents to clean the foam air cleaner.

- Pressurized air can damage the foam air cleaner and solvents will dissolve the foam air cleaner.
5. Saturate foam air cleaner with clean engine oil. To remove excess oil, squeeze foam air cleaner in a clean cloth.
  6. Reinstall cleaned and oiled foam air cleaner in air cleaner plate.
  7. Firmly fit air cleaner assembly into cover.
  8. Insert cover's tabs (E) into slots (F) in bottom of base (G).
  9. Tilt cover up and tighten screw securely to base.

### Service Spark Plug

Change the spark plug every 100 hours of operation or once each year, whichever comes first. This will help your engine to start easier and run better.

1. Clean area around spark plug.
2. Remove and inspect spark plug.
3. Check electrode gap with wire feeler gauge and set spark plug gap to 0.030 inch (0.76mm) if necessary.



4. Replace spark plug if electrodes are pitted, burned or porcelain is cracked. Use the recommended replacement plug. See *Specifications*.
5. Install spark plug and tighten firmly.

### Clean Spark Arrester Screen

If you use your trash pump on any forest-covered, brush-covered, or grass-covered unimproved land, it must have a spark arrester. The spark arrester must be maintained in good condition by the owner/operator. A spark arrester is available from your nearest qualified service center. The spark arrester must be serviced every 50 hours to keep it functioning as designed.

If the engine has been running, the muffler will be very hot. Allow the muffler to cool before servicing the spark arrester.



### WARNING



Contact with muffler area can result in serious burns.



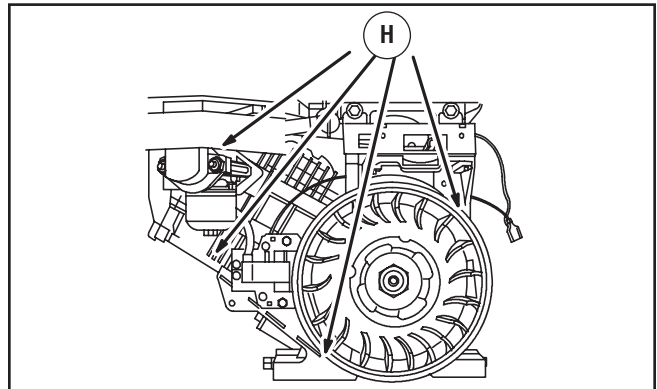
Exhaust heat/gases can ignite combustibles, structures or damage fuel tank causing a fire.

- DO NOT touch hot parts and AVOID hot exhaust gases.
- Allow equipment to cool before touching.
- Keep at least 5 feet (1.5 m) of clearance on all sides of trash pump including overhead.

1. Remove spark arrester screen for cleaning and inspection.
2. Inspect screen and replace if torn, perforated or otherwise damaged. DO NOT use a defective screen. If screen is not damaged, clean it with commercial solvent.
3. Reattach spark arrester screen to muffler.

### Air Cooling System

Over time debris may accumulate in cylinder cooling fins and cannot be removed without partial engine disassembly. For this reason, we recommend you have an authorized Briggs & Stratton service dealer clean the cooling system (H) per recommended intervals (see *Maintenance Schedule* in beginning of *Maintenance* section). Equally important is to keep top of engine free from debris. See *Clean Debris*.



### Check Valve Clearance (Model 073024 Only)

Regular valve clearance check and adjustment will improve performance and extend engine life. This procedure cannot be done without partial engine disassembly and the use of special tools. For this reason we recommend that you have an authorized dealer check and adjust valve clearance at 250 hours or as recommended (see *Maintenance Schedule* in the *Maintenance* section).



## Storage

The trash pump should be started at least once every seven days and allowed to run at least 30 minutes. If this cannot be done and you must store the unit for more than 30 days, use the following information as a guide to prepare it for storage.

### Long Term Storage Instructions

It is important to prevent gum deposits from forming in essential fuel system parts, such as the carburetor, fuel filter, fuel hose or tank during storage. Also, experience indicates that alcohol-blended fuels (called gasohol, ethanol or methanol) can attract moisture, which leads to separation and formation of acids during storage. Acidic fuel can damage the fuel system of an engine while in storage.




### Protect Fuel System

#### Fuel Additive:

Fuel can become stale when stored over 30 days. Stale fuel causes acid and gum deposits to form in the fuel system or on essential carburetor parts. To keep fuel fresh, use Briggs & Stratton FRESH START™ fuel stabilizer, available as a liquid additive or a drip concentrate cartridge.

There is no need to drain gasoline from the engine if a fuel stabilizer is added according to instructions. Run the engine for 2 minutes to circulate the stabilizer throughout the fuel system. The engine and fuel can then be stored up to 24 months.

If gasoline in the engine has not been treated with a fuel stabilizer, it must be drained into an approved container. Run the engine until it stops from lack of fuel. The use of a fuel stabilizer in the storage container is recommended to maintain freshness.




 <b>WARNING</b>	
 	<p>Fuel and its vapors are extremely flammable and explosive.</p> <p>Fire or explosion can cause severe burns or death.</p>
<b>WHEN STORING FUEL OR EQUIPMENT WITH FUEL IN TANK</b>	
<ul style="list-style-type: none"> <li>• Store away from furnaces, stoves, water heaters, clothes dryers, or other appliances that have pilot light or other ignition source because they can ignite fuel vapors.</li> </ul>	
<b>WHEN DRAINING FUEL</b>	
<ul style="list-style-type: none"> <li>• Turn trash pump OFF and let it cool at least 2 minutes before removing fuel cap. Loosen cap slowly to relieve pressure in tank.</li> <li>• Drain fuel tank outdoors.</li> <li>• Keep fuel away from sparks, open flames, pilot lights, heat, and other ignition sources.</li> <li>• DO NOT light a cigarette or smoke.</li> </ul>	

## Change Engine Oil

While engine is still warm, drain oil from crankcase. Refill with recommended grade. See *Changing Engine Oil* in *Engine Maintenance*.

### Oil Cylinder Bore

- Remove spark plug and pour about 1/2 ounce (15 ml) of clean engine oil into the cylinder.
- Install spark plug and pull starter handle slowly to distribute oil.



 <b>WARNING</b>	
 	<p>Unintentional sparking can result in fire or electric shock.</p>
<ul style="list-style-type: none"> <li>• NEVER pull starter handle with spark plug removed.</li> </ul>	

### Trash Pump

1. Drain trash pump as described in *Flush and Drain Trash Pump*.
2. Clean trash pump as described in *Cleaning*.
3. Check that openings on trash pump are open and unobstructed.

### Other Storage Tips

1. DO NOT store fuel from one season to another unless it has been treated as described in *Protect Fuel System*.
2. Replace fuel can if it starts to rust. Contaminated fuel will cause engine problems.
3. Cover unit with a suitable protective cover that does not retain moisture.

 <b>WARNING</b>	
	<p>Storage covers can be flammable.</p>
<ul style="list-style-type: none"> <li>• DO NOT place a storage cover over a hot trash pump.</li> <li>• Let equipment cool for a sufficient time before placing the cover on the equipment.</li> </ul>	

4. Store trash pump in clean, dry area.

# Troubleshooting

Problem	Cause	Correction
<p><b>No pump output or low pump output when trash pump is running.</b></p>	<ol style="list-style-type: none"> <li>1. Pump not primed.</li> <li>2. Suction hose restricted, collapsed, damaged, too long, or diameter too small.</li> <li>3. Strainer not completely under water.</li> <li>4. Air leak at suction hose connector.</li> <li>5. Strainer clogged.</li> <li>6. Impeller clogged.</li> <li>7. Discharge hose restricted, damaged, too long, or diameter too small.</li> <li>8. Excessive or marginal head.</li> <li>9. Engine speed lever is in <b>"Slow"</b> (🐢) position.</li> </ol>	<ol style="list-style-type: none"> <li>1. Fill pump chamber with water and prime pump.</li> <li>2. Replace suction hose.</li> <li>3. Sink the strainer and the end of suction hose completely under water.</li> <li>4. Replace sealing washer if missing or damaged. Tighten hose connector and clamp.</li> <li>5. Clean debris from strainer.</li> <li>6. Clean impeller. See <i>After Each Use</i>.</li> <li>7. Replace discharge hose.</li> <li>8. Relocate pump and/or hoses to reduce head.</li> <li>9. Move engine speed lever to <b>"Fast"</b> (🐇) position.</li> </ol>
<p><b>Engine will not start; lacks power; starts and runs rough; or "hunts" or falters.</b></p>	<ol style="list-style-type: none"> <li>1. Rocker switch set to <b>"Off"</b>.</li> <li>2. Fuel valve is in <b>"Off"</b> position.</li> <li>3. Dirty air cleaner.</li> <li>4. Out of fuel.</li> <li>5. Stale or contaminated fuel or water in fuel.</li> <li>6. Spark plug wire not connected to spark plug.</li> <li>7. Bad spark plug.</li> <li>8. Excessive fuel is present in the air/fuel mixture causing a "flooded" condition.</li> <li>9. Carburetor is out of adjustment.</li> </ol>	<ol style="list-style-type: none"> <li>1. Set switch to <b>"On"</b>.</li> <li>2. Turn fuel valve to <b>"On"</b> position.</li> <li>3. Clean or replace air cleaner.</li> <li>4. Wait two minutes and fill fuel tank.</li> <li>5. Drain fuel tank and carburetor; fill with fresh fuel.</li> <li>6. Connect wire to spark plug.</li> <li>7. Replace spark plug.</li> <li>8. Wait 5 minutes and re-crank engine.</li> <li>9. Contact Authorized service facility.</li> </ol>
<p><b>Engine shuts down when running.</b></p>	<p>Out of fuel.</p>	<p>Wait two minutes and fill fuel tank.</p>

## BRIGGS & STRATTON POWER PRODUCTS GROUP, LLC WATER PUMP OWNER WARRANTY POLICY

Effective February 1, 2006 replaces all undated Warranties and all Warranties dated before February 1, 2006

### LIMITED WARRANTY

Briggs & Stratton Power Products Group, LLC will repair or replace, free of charge, any part(s) of the water pump that is defective in material or workmanship or both. Transportation charges on product submitted for repair or replacement under this warranty must be borne by purchaser. This warranty is effective for the time periods and subject to the conditions stated below. For warranty service, find the nearest Authorized Service Dealer in our dealer locator map at BRIGGSandSTRATTON.COM.

THERE IS NO OTHER EXPRESS WARRANTY. IMPLIED WARRANTIES, INCLUDING THOSE OF MERCHANTABILITY AND FITNESS FOR A PARTICULAR PURPOSE, ARE LIMITED TO ONE YEAR FROM PURCHASE, OR TO THE EXTENT PERMITTED BY LAW. ANY AND ALL IMPLIED WARRANTIES ARE EXCLUDED. LIABILITY FOR INCIDENTAL OR CONSEQUENTIAL DAMAGES ARE EXCLUDED TO THE EXTENT EXCLUSION IS PERMITTED BY LAW. Some states or countries do not allow limitations on how long an implied warranty lasts, and some states or countries do not allow the exclusion or limitation of incidental or consequential damages, so the above limitation and exclusion may not apply to you. This warranty gives you specific legal rights and you may also have other rights which vary from state to state or country to country.

### WARRANTY PERIOD

<b>Consumer Use</b>	<b>2 years</b>
<b>Commercial Use</b>	<b>2 years</b>

The warranty period begins on the date of purchase by the first retail consumer or commercial end user, and continues for the period of time stated above. "Consumer use" means personal residential household use by a retail consumer. "Commercial use" means all other uses, including use for commercial, income producing or rental purposes. Once equipment has experienced commercial use, it shall thereafter be considered as commercial use for purposes of this warranty.

NO WARRANTY REGISTRATION IS NECESSARY TO OBTAIN WARRANTY ON BRIGGS & STRATTON PRODUCTS. SAVE YOUR PROOF OF PURCHASE RECEIPT. IF YOU DO NOT PROVIDE PROOF OF THE INITIAL PURCHASE DATE AT THE TIME WARRANTY SERVICE IS REQUESTED, THE MANUFACTURING DATE OF THE PRODUCT WILL BE USED TO DETERMINE THE WARRANTY PERIOD.

### ABOUT YOUR WARRANTY

We welcome warranty repair and apologize to you for being inconvenienced. Any Authorized Service Dealer may perform warranty repairs. Most warranty repairs are handled routinely, but sometimes requests for warranty service may not be appropriate. For example, warranty service would not apply if equipment damage occurred because of misuse, lack of routine maintenance, shipping, handling, warehousing or improper installation. Similarly, the warranty is void if the manufacturing date or the serial number on the water pump or engine has been removed or the equipment has been altered or modified. During the warranty period, the Authorized Service Dealer, at its option, will repair or replace any part that, upon examination, is found to be defective under normal use and service. This warranty will not cover the following repairs and equipment:

- **Normal Wear:** Outdoor Power Equipment, like all mechanical devices, needs periodic parts and service to perform well. This warranty does not cover repair when normal use has exhausted the life of a part or the equipment.
- **Installation and Maintenance:** This warranty does not apply to equipment or parts that have been subjected to improper or unauthorized installation or alteration and modification, misuse, negligence, accident, overloading, overspeeding, improper maintenance, repair or storage so as, in our judgment, to adversely affect its performance and reliability. This warranty also does not cover normal maintenance such as air filters, adjustments, fuel system cleaning and obstruction (due to chemical, dirt, etc.).
- **Other Exclusions:** This warranty excludes wear items such as seals, o-rings, etc. This warranty also excludes pumps that have been run without water or subjected to freezing or chemical deterioration. This water pump is warranted for use in clear water applications, as certain components will experience accelerated wear depending on the percentage and abrasive degree of sediment passing through the pump. Accessory parts, such as hoses or strainers, are excluded from the product warranty. This warranty excludes failures due to acts of God and other force majeure events beyond the manufacturers control. 198201E, Rev. B, 12/31/2006

BRIGGS & STRATTON POWER PRODUCTS GROUP, LLC  
JEFFERSON, WI, USA



# PRO SERIES

## Trash Pump

### Product Specifications

#### Model 073023

Suction Port Diameter	2 in (50 mm)
Discharge Ports Diameter	2 in (50 mm)
Total Head	117 ft (35.6 m)
Maximum Head	
Suction Lift	25 ft (8 m)
Discharge Lift	92 ft (28 m)
Maximum Discharge Capacity	198 US gal (749.5 l) per minute
Shipping Weight	.70 lbs. (32 kg)
Displacement	11.57 cu. in. (190 cc)
Spark Plug Gap	.030 in. (0.76 mm)
Fuel Capacity	1.0 Gal. (3.78 Liters)
Oil Capacity	.20 Ounces (0.6 Liters)

#### Model 073024

Suction Port Diameter	3 in (76 mm)
Discharge Ports Diameter	3 in (76 mm)
Total Head	117 ft (35.6 m)
Maximum Head	
Suction Lift	25 ft (8 m)
Discharge Lift	92 ft (28 m)
Maximum Discharge Capacity	317 US gal (1200 l) per minute
Shipping Weight	.82 lbs. (38 kg)
Displacement	18.64 cu. in. (305 cc)
Spark Plug Gap	.030 in. (0.76 mm)
Fuel Capacity	1.0 Gal. (3.78 Liters)
Oil Capacity	.28 Ounces (0.83 Liters)

### Common Service Parts

Air Cleaner	.696263
Resistor Spark Plug	.691043
Engine Oil Bottle	.100005 or 100028
Fuel Stabilizer	.100002 or 5041D

**Power Ratings:** The gross power rating for individual gas engine models is labeled in accordance with SAE (Society of Automotive Engineers) code J1940 (Small Engine Power & Torque Rating Procedure), and rating performance has been obtained and corrected in accordance with SAE J1995 (Revision 2002-05). Torque values are derived at 3060 RPM; horsepower values are derived at 3600 RPM. Actual gross engine power will be lower and is affected by, among other things, ambient operating conditions and engine-to-engine variability. Given both the wide array of products on which engines are placed and the variety of environmental issues applicable to operating the equipment, the gas engine will not develop the rated gross power when used in a given piece of power equipment (actual "on-site" or net power). This difference is due to a variety of factors including, but not limited to, accessories (air cleaner, exhaust, charging, cooling, carburetor, fuel pump, etc.), application limitations, ambient operating conditions (temperature, humidity, altitude), and engine-to-engine variability. Due to manufacturing and capacity limitations, Briggs & Stratton may substitute an engine of higher rated power for this Series engine.

**Briggs & Stratton Power Products Group, LLC**  
**900 N. Parkway**  
**Jefferson, Wisconsin, 53549 U.S.A.**



**PROSERIES**

# Bomba de Residuos

## Manual del Operario



**BRIGGS & STRATTON POWER PRODUCTS GROUP, LLC**  
**JEFFERSON, WISCONSIN, U.S.A.**

**Muchas gracias** por comprar esta bomba de residuos Briggs & Stratton de gran calidad. Nos alegra que haya depositado su confianza en la marca Briggs & Stratton. Siempre que sea utilizado de acuerdo con las instrucciones de este manual, su bomba de residuos Briggs & Stratton le proporcionará muchos años de buen funcionamiento.

**Este manual contiene** información de seguridad sobre los riesgos asociados con las bombas de residuos y sobre cómo evitarlos. Esta bomba de residuos se ha diseñado exclusivamente para transferir agua que pueda contener arena, suciedad y residuos de pequeño tamaño. Es importante leer detenidamente y comprender estas instrucciones antes de poner en marcha o utilizar el equipo. **Conserve este manual para futuras consultas.**

**Este bomba de residuos requiere montaje final antes de ser usado.** Consulte la sección *Montaje* de este manual, donde encontrará instrucciones para el montaje final. Siga las instrucciones al pie de la letra.

### Dónde encontrarnos

Usted no tendrá que ir muy lejos para encontrar el servicio técnico de Briggs & Stratton para su bomba de residuos. Consulte las Páginas Amarillas. Hay más de 30.000 proveedores de Briggs & Stratton autorizados en todo el mundo, proporcionando un servicio de calidad. También puede ponerse en contacto con Atención al Cliente de Briggs & Stratton por Internet en BRIGGSandSTRATTON.COM.

### Bomba de Residuos

Número de Modelo

--	--	--	--	--	--	--

Revisión

--	--

Número de Serie

--	--	--	--	--	--	--	--	--	--	--	--	--

### Motor

Número de Modelo

--	--	--	--	--	--

Número de Tipo

--	--	--	--	--	--

Número de Código

--	--	--	--	--	--	--	--	--	--	--	--	--	--	--

### Fecha de compra

--	--	--	--	--	--

Briggs & Stratton Power Products Group, LLC.  
900 North Parkway  
Jefferson, WI 53549

Copyright © 2007 Briggs & Stratton Power Products Group, LLC. Reservados todos los derechos. Queda prohibida la reproducción o transmisión total o parcial de este material, sea cual sea la forma y el medio empleados para ello, sin el permiso previo y por escrito de Briggs & Stratton Power Products Group, LLC.

# Tabla de Contenido

<b>Seguridad de Operario</b> .....	<b>4</b>
Descripción del equipo .....	4
Reglas de seguridad .....	4
<b>Montaje</b> .....	<b>7</b>
Desembalaje la bomba de residuos .....	7
Agregar aceite al motor .....	7
Agregue combustible .....	7
Fijación de la manguera de aspiración .....	8
Conexión de la manguera de descarga (opcional) .....	9
<b>Características y mandos</b> .....	<b>10</b>
<b>Operando</b> .....	<b>11</b>
Consideraciones para un uso seguro .....	11
Colocación de la bomba de residuos en una posición segura .....	11
Cebado de la bomba de residuos .....	12
Colocación de la cesta del filtro en la fuente de agua .....	12
Puesta en marcha de la bomba de residuos .....	12
Parada de la bomba de residuos .....	13
Después de cada uso .....	14
<b>Mantenimiento</b> .....	<b>15</b>
Plan de mantenimiento .....	15
Mantenimiento del bomba de residuos .....	15
Mantenimiento del motor .....	15
Almacenamiento .....	18
<b>Resolución de Problemas</b> .....	<b>20</b>
<b>Garantía</b> .....	<b>21</b>
Garantía para el propietario de una bomba de agua .....	21
<b>Especificaciones</b> .....	<b>22</b>
Especificaciones del producto .....	22
Servicio común despide .....	22

Seguridad

Montaje

Controles

Utilización

Mantenimiento

Problemas

Garantía

# Seguridad de Operario

## Descripción del equipo



Lea atentamente este manual y familiarícese con la bomba de residuos. Conozca sus aplicaciones, limitaciones y riesgos.

Esta bomba de residuos se puede utilizar para transferir agua que pueda contener arena, suciedad y residuos de pequeño tamaño. El modelo 073023 puede bombear agua con sólidos de hasta 20,32 mm (0,8 pulgadas) de diámetro. El modelo 073024 puede bombear agua con sólidos de hasta 30,48 mm (1,2 pulgadas) de diámetro.



### PRECAUCIÓN

Estas bombas de residuos SÓLO están diseñadas para bombear agua no destinada al consumo humano.


Se ha realizado el máximo esfuerzo para reunir en este manual la información más precisa y actualizada. No obstante, nos reservamos el derecho de modificar, alterar o mejorar de cualquier otra forma el producto y este documento en cualquier momento y sin previo aviso.

El sistema de control de emisiones de la bomba de residuos está garantizado conforme a las normas definidas por la Environmental Protection Agency y el California Air Resources Board.

## Reglas de seguridad



Éste es el símbolo de alerta de seguridad. Sirve para advertir al usuario de un posible riesgo para su integridad física. Siga todos los mensajes de seguridad que figuren después de este símbolo para evitar lesiones o incluso la muerte.

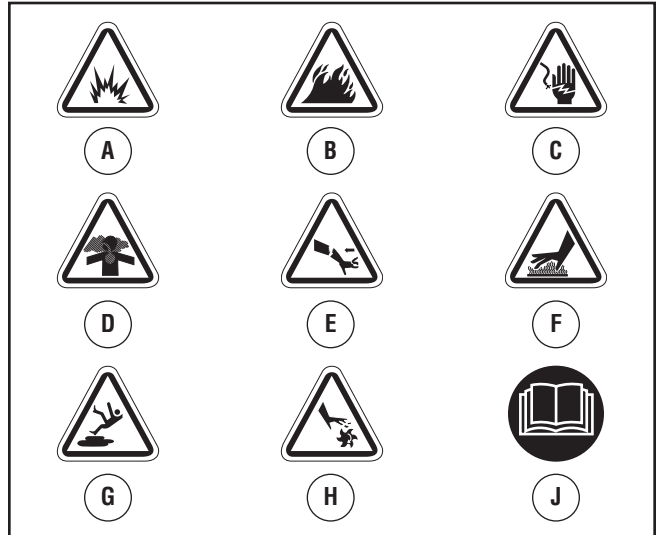
El símbolo de alerta de seguridad () se utiliza con una palabra de señalización (PELIGRO, PRECAUCIÓN, ADVERTENCIA), una imagen y/o un mensaje de seguridad para advertir al usuario de un riesgo. **PELIGRO** indica un riesgo que, de no evitarse, provocará la muerte o lesiones de gravedad. **ADVERTENCIA** indica un riesgo que, de no evitarse, puede provocar la muerte o lesiones de gravedad. **PRECAUCIÓN** indica un riesgo que, de no evitarse, puede provocar lesiones moderadas. **AVISO** indica una situación que podría producir daños en el equipo. Siga en todo momento los mensajes de seguridad para evitar o reducir el riesgo de lesiones y de muerte.



### ADVERTENCIA

El escape del motor de este producto contiene elementos químicos reconocidos en el Estado de California por producir cáncer, defectos de nacimiento u otros daños de tipo reproductivo.

## Símbolos de peligro y sus significados



A - Explosión

B - Fuego

C - Descarga Eléctrica

D - Gases Tóxicos

E - Contragolpe

F - Superficie Caliente



G - Superficies Resbalosas




H - Partes en Movimiento



J - Manual del Operario






 <b>ADVERTENCIA</b>	
	<p>Al motor funcionar, se produce monóxido de carbono, un gas inodoro y venenoso.</p> <p>Respirar monóxido de carbono puede provocar dolor de cabeza, fatiga, mareos, vómitos, confusión, ataques, náuseas, desmayos o incluso la muerte.</p>
<ul style="list-style-type: none"> <li>• Opere el bomba de residuos SOLAMENTE al aire libre.</li> <li>• Asegúrese de que los gases de escape no puedan entrar por ventanas, puertas, tomas de aire de ventilación u otras aberturas en un espacio cerrado en el que puedan acumularse.</li> <li>• NO arranque ni deje funcionar el motor en interiores ni en zonas cerradas, aunque haya ventanas y puertas abiertas.</li> </ul>	

 <b>ADVERTENCIA</b>	
	<p>El uso de bomba de residuos puede crear los charcos y superficies resbalosas.</p>
<ul style="list-style-type: none"> <li>• Utilice la bomba de residuos desde una superficie estable.</li> <li>• El área tener inclinaciones y drenajes adecuados para disminuir la posibilidad de caídas debido a superficies resbalosas.</li> </ul>	

 <b>ADVERTENCIA</b>	
 	<p>Chispear involuntario puede tener como resultado el fuego o el golpe eléctrico.</p>
<p><b>CUANDO AJUSTE O HAGA REPARACIONES A SU MÁQUINA BOMBA DE RESIDUOS</b></p> <ul style="list-style-type: none"> <li>• Siempre desconecte el alambre de la bujía y colóquelo donde no pueda entrar en contacto con la bujía.</li> </ul> <p><b>CUANDO PRUEBE LA BUJÍA DEL MOTOR</b></p> <ul style="list-style-type: none"> <li>• Utilice un comprobador de bujías homologado.</li> <li>• NO compruebe la chispa sin la bujía instalada.</li> </ul>	

 <b>ADVERTENCIA</b>	
	<p>El arrancador y otras piezas que rotan pueden enredar las manos, el pelo, la ropa, o los accesorios.</p>
<ul style="list-style-type: none"> <li>• NUNCA coloque las manos ni ninguna otra parte del cuerpo en el interior de la bomba ni en las mangueras cuando el equipo esté en funcionamiento.</li> <li>• NUNCA utilice la bomba de residuos sin su carcasa o sus tapas de protección.</li> <li>• NO utilice ropa suelta, joyas ni objetos que puedan quedar atrapados en el arrancador o en otras piezas rotativas.</li> <li>• Recoja el pelo largo y quítese cualquier joya.</li> </ul>	

 <b>ADVERTENCIA</b>	
 	<p>La gasolina y sus vapores son extremadamente inflamables y explosivos.</p> <p>El fuego o una explosión pueden causar quemaduras severas e inclusive la muerte.</p>
<p><b>CUANDO ANADA COMBUSTIBLE O VACÍE EL DEPÓSITO</b></p> <ul style="list-style-type: none"> <li>• Apague el bomba de residuos (posición OFF) y déjelo enfriar al menos por 2 minutos antes de remover la tapa de la combustible. Afloje la tapa lentamente para dejar que la presión salga del tanque.</li> <li>• Llene o vacíe el depósito de combustible a la intemperie.</li> <li>• NO llene demasiado el tanque. Permita al menos espacio para la expansión del combustible.</li> <li>• Si se ha derramado combustible, espere a que se evapore antes de arrancar el motor.</li> <li>• Mantenga la gasolina alejada de chispas, llamas abiertas, pilotos, calor y otras fuentes de ignición.</li> <li>• NO encienda un cigarrillo o fume.</li> </ul> <p><b>CUANDO PONGA EN FUNCIONAMIENTO EL EQUIPO</b></p> <ul style="list-style-type: none"> <li>• Compruebe que la bujía, el silenciador, el tapón del depósito de combustible y el filtro de aire están instalados.</li> <li>• NO arranque el motor sin la bujía instalada.</li> </ul> <p><b>CUANDO OPERE EL EQUIPO</b></p> <ul style="list-style-type: none"> <li>• NO bombee líquidos inflamables, como combustibles o aceites.</li> <li>• Este bomba de residuos no es apto para el uso en equipos móviles ni en aplicaciones marinas.</li> <li>• NO incline el motor ni el equipo de forma que pueda derramarse el combustible.</li> <li>• Asegure la bomba de residuos. Las cargas de las mangueras pueden provocar la caída de la bomba.</li> </ul> <p><b>CUANDO TRANSPORTE O REPARE EL EQUIPO</b></p> <ul style="list-style-type: none"> <li>• Transporte o repare el equipo con el tanque de combustible vacío, o con la válvula para apagar el combustible, apagada (posición OFF).</li> <li>• Desconecte el cable de la bujía.</li> </ul> <p><b>CUANDO ALMACENE O GUARDE EL EQUIPO CON COMBUSTIBLE EN EL TANQUE</b></p> <ul style="list-style-type: none"> <li>• Almacene alejado de calderas, estufas, calentadores de agua, secadoras de ropa u otros aparatos electrodomésticos que posean pilotos u otras fuentes de ignición, porque ellos pueden encender los vapores de la combustible.</li> </ul>	

**ADVERTENCIA**

El retroceso (repliegue rápido) del cable del arrancador puede producir lesiones. El retroceso impedirá que el usuario suelte el cable a tiempo y tirará de su mano y brazo hacia el motor.

Como resultado, podrían producirse fracturas, contusiones o esguinces.

Mantenga las manos y el cuerpo alejados de la descarga de la bomba.

- Cuando arranque el motor, tire lentamente del cable hasta sentir una resistencia y, a continuación, tire rápidamente de él para evitar su retroceso.
- Sujete la manguera de descarga para evitar latigazos.

**ADVERTENCIA**

El contacto con la zona del silenciador puede producir quemaduras graves.



Los gases y el calor de escape pueden inflamar los materiales combustibles y las estructuras o dañar el depósito de combustible y provocar un incendio.

- NO toque las superficies calientes y EVITE los gases del escape a alta temperatura.
- Permita que el equipo se enfríe antes de tocarlo.
- Deje un espacio mínimo de 1.5 m (5 pies) alrededor del bomba de residuos, incluida la parte superior.

**PRECAUCIÓN**

Las velocidades de funcionamiento excesivamente altas aumentan el riesgo de lesiones y de daños en la bomba de residuos.

Las velocidades excesivamente bajas incrementan la carga de trabajo.

- NO intente alterar la velocidad controlada.
- NO haga ninguna modificación en la bomba de residuos.
- NO permita que personas no calificadas o niños utilicen o reparen la bomba de residuos.

**AVISO**

El tratamiento inadecuado del bomba de residuos puede dañarlo y acortar su vida productiva.

- En caso de dudas sobre su uso, diríjase al distribuidor o a un servicio técnico cualificado.
- Asegúrese de que la cámara de la bomba esté llena de agua antes de arrancar el motor. NUNCA utilice la bomba sin cebarla previamente.
- Utilice una manguera no plegable en el lado de aspiración de la bomba.
- Utilice la bomba de residuos sólo para los usos previstos.
- El bombeo de agua de mar, bebidas, ácidos, soluciones químicas o cualquier otro líquido corrosivo puede deteriorar la bomba.
- Asegúrese de que todas las conexiones sean herméticas.
- NO obstruya las mangueras de entrada y salida.
- NUNCA utilice la bomba sin un filtro en el extremo de la manguera de aspiración.
- NO supere la altura máxima de aspiración, 8 m (25 pies), ni la altura total, 35.6 m (117 pies). Utilice la menor altura de aspiración posible.
- NUNCA permita que un vehículo pase sobre las mangueras. Si es necesario cruzar una calzada con la manguera, utilice planchas en ambos lados de la manguera para que los vehículos puedan pasar sin obstruirla.
- Asegure la bomba para evitar que se mueva, especialmente si está situada cerca de una cuneta o del borde de un barranco. El equipo podría caerse.
- No sitúe el equipo cerca de la orilla de un río o lago donde pudiera causar el desprendimiento del suelo.
- NO inserte ningún objeto por las ranuras de refrigeración.
- NUNCA deberán ser operadas las unidades con partes rotas o ausentes, o sin la caja o cubiertas de protección.
- NO eluda ningún dispositivo de seguridad de esta máquina.
- NUNCA mueva la máquina halando la manguera de alta presión. Utilice la manija que viene con la unidad.
- Revise que el sistema de combustible no presente fugas o signos de deterioro, como mangueras desgastadas o porosas, sujetadores flojos o ausentes, tapa o tanque dañados. Corrija todos los defectos antes de operar la máquina bomba de residuos.
- El equipo de alta presión está diseñado para ser utilizado ÚNICAMENTE con las partes autorizadas Briggs & Stratton Power Products. Si utiliza este equipo con partes que no cumplan con las especificaciones mínimas, el usuario asume todos los riesgos y responsabilidades.

# Montaje



**Lea totalmente el manual del operario antes que intente ensamblar u operar su bomba de residuos.**

Su bomba de residuos requiere de ciertos procedimientos de montaje y solo estará listo para ser utilizado después de haberle suministrado servicio con el combustible y aceite recomendados.

Si usted tiene problemas con el montaje de su bomba de residuos, diríjase al centro de servicio local de Briggs & Stratton. Si llamar para la ayuda, tiene por favor el modelo, la revisión y el número de serie de etiqueta de datos disponible. Consulte la ubicación en la sección *Controles*.

## Desembalaje la bomba de residuos

1. Saque todo el contenido de la caja de cartón, a excepción de la bomba de residuos.
2. Abra completamente la caja de cartón cortando cada una de sus esquinas de arriba abajo.
3. Antes de iniciar el montaje compruebe que no falta ninguno de los elementos incluidos.

### La caja incluye los siguientes elementos:

- Bomba de residuos
- Bolsa de piezas con el siguiente contenido:
  - Este manual del operario
  - Cesta y conector del filtro
  - Conector de la manguera (2)
  - Puño del conector (2)
  - Junta de goma (2)
  - Abrazadera de la manguera (3)

### A prepara su bomba de residuos para la operación, usted necesitará a realiza estas tareas:

1. Llene y mande en tarjeta de matrícula.
2. Añada aceite al motor.
3. Añada gasolina al tanque de combustible.
4. Fijación de la manguera de aspiración.
5. Conexión de la manguera de descarga (opcional).
6. Colocación de la bomba de residuos en una posición segura.
7. Cebado de la bomba de residuos.
8. Colocación de la cesta del filtro en la fuente de agua.

## Agregar aceite al motor

1. Coloque la bomba de residuos en una superficie plana y nivelada.
2. Limpie la zona de alrededor del orificio de llenado de aceite y quite el tapón amarillo.

**NOTA:** Consulte la sección *Aceite*, para ver las recomendaciones relativas al aceite.

3. Con la ayuda de un embudo (opcional), vierta lentamente aceite del motor por el orificio de llenado hasta el punto de desbordamiento.

### AVISO

El tratamiento inadecuado del bomba de residuos puede dañarlo y acortar su vida productiva.

- NO procure acodar ni empezar el motor antes ha sido atendido a apropiadamente con el aceite recomendado. Esto puede tener como resultado una avería del motor.

4. Vuelva a colocar el tapón y apriételo firmemente.

## Agregue combustible

### El combustible debe reunir los siguientes requisitos:

- Gasolina sin plomo limpia y nueva.
- Un mínimo de 87 octanos/87 AKI (91 RON). Para uso a gran altitud, consulte *Gran altitud*.
- El motor admite gasolina con hasta un 10% de etanol (gasohol) o hasta un 15% de MTBE (éter metil terbutílico).

### AVISO

Evite el daño del bomba de residuos.

El fracaso para seguir Manual de Operario para el combustible reccomendations garantía de vacíos.

- NO utilice gasolina no autorizada; por ejemplo, E85.
- NO mezcle aceite con gasolina.
- NO modifique el motor para hacerlo funcionar con otros combustibles.

Para evitar la formación de carbonilla en el circuito de combustible, siempre que añada combustible, mézclelo con un estabilizador. Consulte *Almacenamiento*. NO todos los combustibles son iguales. Si detecta problemas de arranque o de rendimiento después de utilizar un combustible, pruebe a cambiar de proveedor o de marca. Este motor está certificado para funcionar con gasolina. Su sistema de control de emisiones es EM (Modificaciones del motor).

## ⚠ ADVERTENCIA



La gasolina y sus vapores son extremadamente inflamables y explosivos.

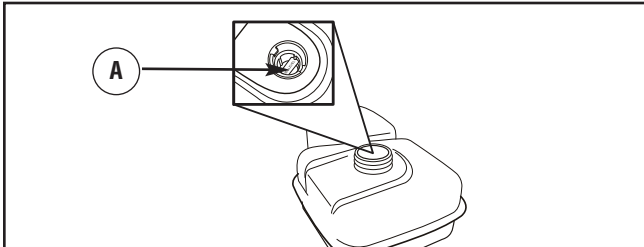


El fuego o una explosión pueden causar quemaduras severas e inclusive la muerte.

### CUANDO ANADA COMBUSTIBLE EL DEPÓSITO

- Apague el bomba de residuos (posición OFF) y déjelo enfriar al menos por 2 minutos antes de remover la tapa de la combustible. Afloje la tapa lentamente para dejar que la presión salga del tanque.
- Llène el depósito de combustible a la intemperie.
- NO llene demasiado el tanque. Permita al menos espacio para la expansión del combustible.
- Si se ha derramado combustible, espere a que se evapore antes de arrancar el motor.
- Mantenga la gasolina alejada de chispas, llamas abiertas, pilotos, calor y otras fuentes de ignición.
- NO encienda un cigarrillo o fume.

1. Limpie el área alrededor de la tapa de llenado del combustible, retire la tapa.
2. Añada lentamente gasolina normal sin plomo al depósito. Llène hasta el indicador de nivel rojo (A). NO añada combustible en exceso.



3. Instale la tapa del tanque de combustible y la espera para algún combustible rociado para evaporar.

### Gran altitud

En altitudes superiores a 1.524 metros (5.000 pies), se deberá utilizar gasolina con un mínimo de 85 octanos / 85 AKI (89 RON). Para seguir cumpliendo la normativa sobre emisiones, es necesario ajustar la unidad para su uso a gran altitud. De no realizarse este ajuste, el rendimiento se reducirá y el consumo de combustible y las emisiones aumentarán. Para obtener más información sobre el ajuste para gran altitud, consulte con un distribuidor cualificado de Briggs & Stratton. No se recomienda utilizar el motor a altitudes inferiores a 762 metros (2.500 pies) con el juego de gran altitud.

### Fijación de la manguera de aspiración

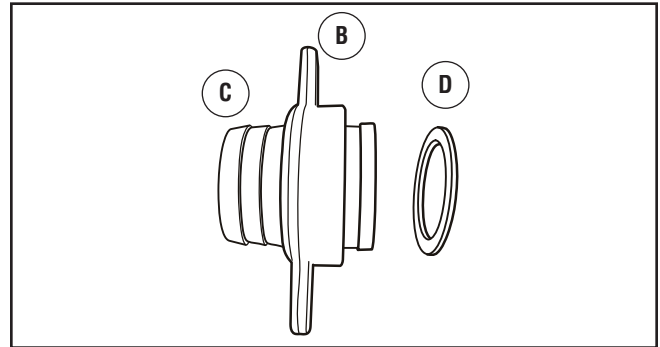
Necesitará la siguiente herramienta para fijar las mangueras a la bomba de residuos:

- Destornillador normal de 1/4" o 6 mm

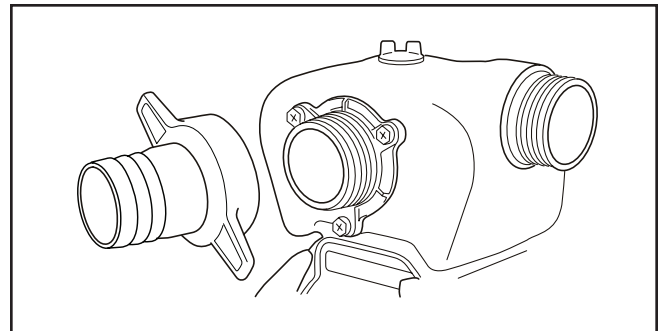
### Conexión de la manguera de aspiración a la bomba

Utilice una manguera de aspiración normal de pared no plegable o reforzada con material trenzado. NO utilice una manguera cuyo diámetro interior sea inferior al del orificio de aspiración de la bomba.

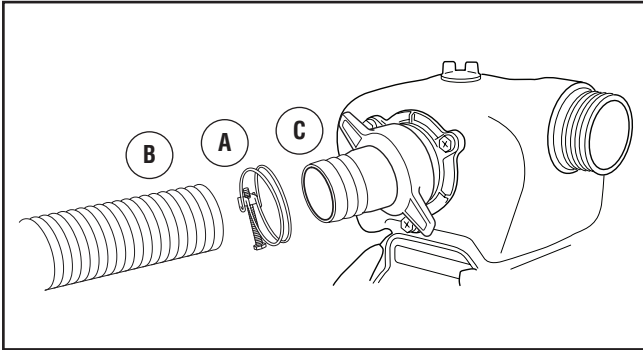
1. Introduzca el conector de la manguera (C) por el puño del conector (B). Inserte la junta de goma (D) en el extremo del puño del conector.



2. Enrosque el conjunto del conector de la manguera en la bomba hasta apretarlo firmemente.

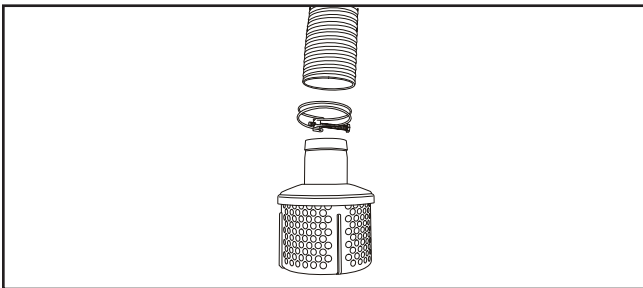


3. Introduzca el extremo de la manguera (B) en la abrazadera de la manguera (A). Introduzca la manguera de aspiración en el conector de la manguera (C). Apriete firmemente la abrazadera con un destornillador normal de 1/4" (6 mm).



### Conexión de la manguera a la cesta del filtro

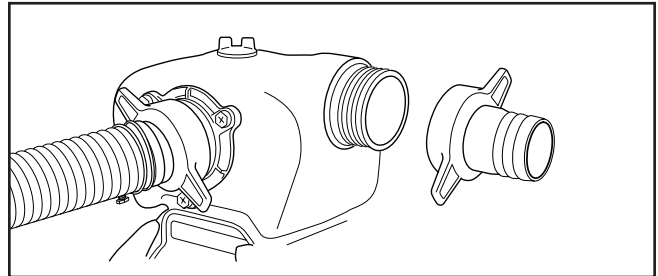
Introduzca la manguera en la abrazadera de la manguera. Conecte el extremo abierto de la manguera de aspiración en el conector de la manguera del filtro. Apriete firmemente la abrazadera con un destornillador normal de 1/4" (6 mm).



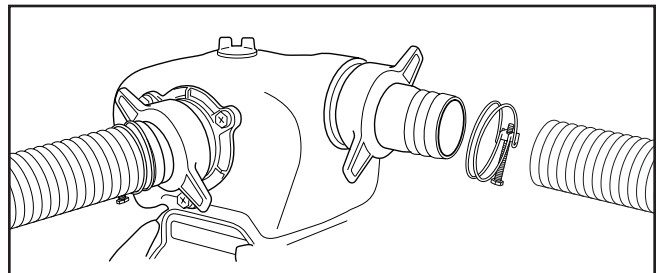
### Conexión de la manguera de descarga (opcional)

Si lo desea, utilice una manguera adquirida en un establecimiento comercial. NO utilice una manguera cuyo diámetro interior sea inferior al del orificio de descarga de la bomba.

1. Introduzca el conector de la manguera por el puño del conector. Inserte la junta de goma en el extremo del puño del conector como se ha mostrado anteriormente.
2. Enrosque el conjunto del conector de la manguera en la bomba hasta apretarlo firmemente.



3. Introduzca el extremo de la manguera de descarga en la abrazadera de la manguera. Introduzca la manguera de descarga en el conector de la manguera. Apriete firmemente la abrazadera con un destornillador normal de 1/4" (6 mm).



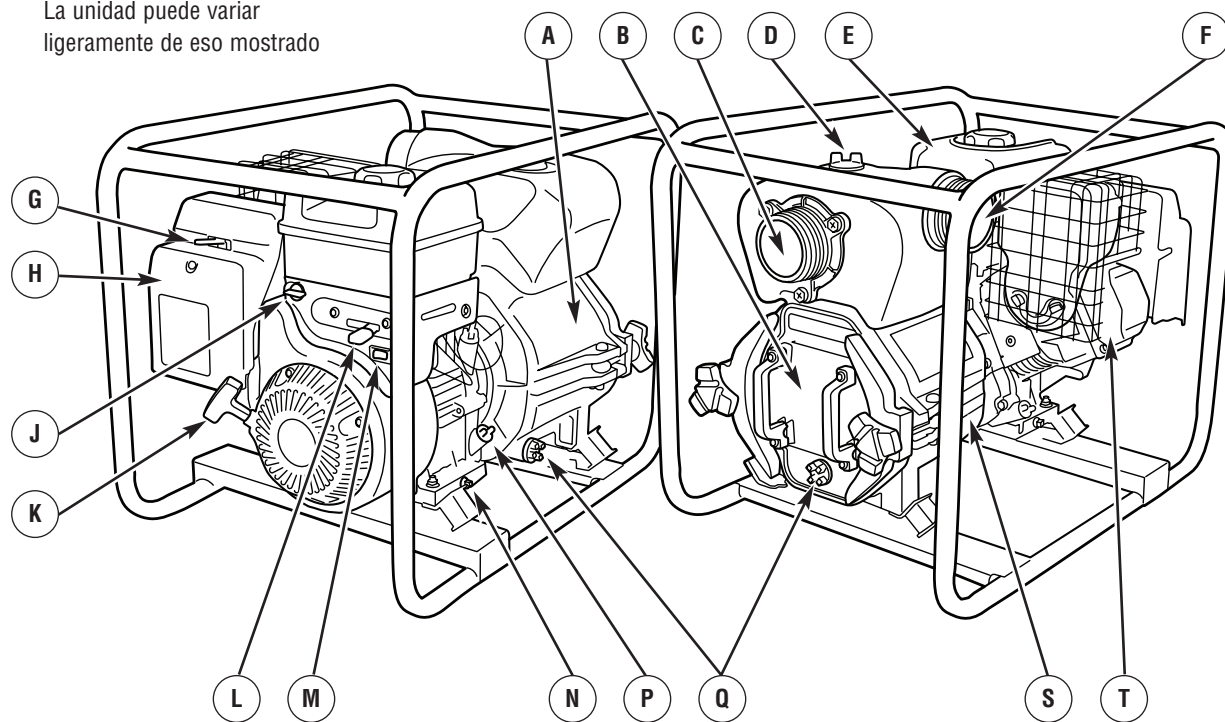
## Características y mandos



Lea el Manual del Operario y las reglas de seguridad antes de poner en marcha su máquina bomba de residuos. Compare las ilustraciones con su máquina bomba de residuos para familiarizarse con las ubicaciones de los diferentes controles y ajustes. Guarde este manual para referencias futuras.

La unidad puede variar ligeramente de eso mostrado

Controles



- A - Etiqueta de datos** — Indica los números de modelo, revisión y serie de la bomba de residuos. Tenga esta información preparada si llama al servicio técnico.
  - B - Placa protectora de la bomba** — retírela para limpiar la turbina.
  - C - Entrada de aspiración** — Conecte aquí la manguera de aspiración reforzada.
  - D - Tapón de cebado** — Permite llenar la bomba de residuos para cebarla antes de la puesta en marcha.
  - E - Depósito de combustible** — Llene el tanque con gasolina regular sin contenido de plomo en este punto. Siempre habitación de hoja para la expansión del combustible.
  - F - Salida de descarga** — Conecte aquí la manguera de descarga.
  - G - Palanca estranguladora** — Se utiliza para arrancar un motor en frío.
  - H - Filtro de aire** — Protege el motor filtrando el polvo y los residuos del aire de admisión.
  - J - Válvula de paso de combustible** — Permite abrir y cerrar la alimentación de combustible al motor.  
Modelo 073023 — situada detrás del filtro de aire del carburador.  
Modelo 073024 — situada a la izquierda de la palanca de velocidad del motor, en el panel de control del motor.
  - K - Arrancador de retroceso** — Permite arrancar el motor.
  - L - Palanca del acelerador** — Permite regular la velocidad del motor para controlar el rendimiento de la bomba.
  - M - Interruptor On/Off** — Sitúe el interruptor en la posición "On" antes de utilizar el arrancador de retroceso. Sitúelo en la posición "Off" para parar el motor.
  - N - Tapón de Vaciado de Aceite** — Permite vaciar el aceite del motor.
  - P - Tapón de aceite** — Permite comprobar el nivel de aceite y llenar el motor.
  - Q - Tapóns de vaciado de agua** — Permite vaciar el agua de la bomba y limpiar los componentes internos con agua limpia.
  - S - Cámara de la bomba** — Asegúrese de llenarla de agua antes de la puesta en marcha.
  - T - Información de motor** — Estampado en la cubierta de válvula. Indica los números de modelo, tipo y recorta de la motor. Tenga esta información preparada si llama al servicio técnico.
- No mostrado:**  
**Cesta del filtro** — Utilizado para limitar el pasaje de materias abrasivas en la bomba.

# Operando



Si tiene problemas operando su bomba de residuos, diríjase al centro de servicio local de Briggs & Stratton.

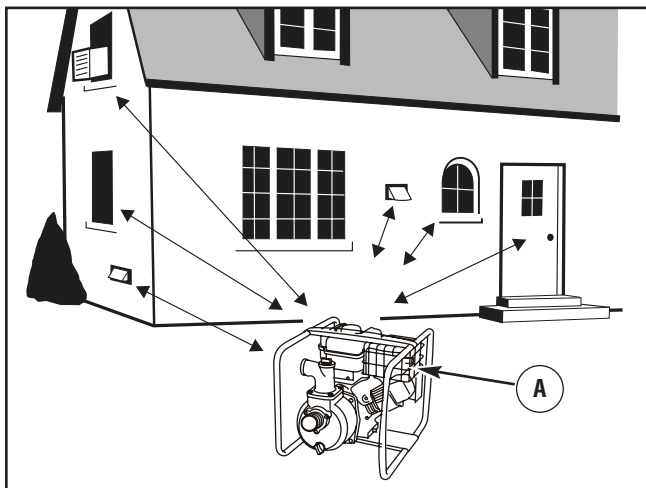
## Consideraciones para un uso seguro

### Espacio libre y circulación de aire

 <b>ADVERTENCIA</b>	
	Los gases y el calor de escape pueden inflamar los materiales combustibles y las estructuras o dañar el depósito de combustible y provocar un incendio.
<ul style="list-style-type: none"> <li>• Deje un espacio mínimo de 152 cm (5 pies) alrededor del bomba de residuos, incluida la parte superior.</li> </ul>	

Coloque la bomba de residuos a la intemperie en una zona en donde no se acumulen gases de escape mortales. NO instale el bomba de residuos en lugares en los que los gases de escape (A) se puedan acumular o entrar en un edificio que pueda estar ocupado. Asegúrese de que los gases de escape no puedan entrar por ventanas, puertas, tomas de aire de ventilación u otras aberturas en un espacio cerrado en el que puedan acumularse. Tenga en cuenta los vientos y las corriente de aire preponderantes cuando elija la ubicación del bomba de residuos.

 <b>ADVERTENCIA</b>	
	Al motor funcionar, se produce monóxido de carbono, un gas inodoro y venenoso. Respirar monóxido de carbono puede provocar dolor de cabeza, fatiga, mareos, vómitos, confusión, ataques, náuseas, desmayos o incluso la muerte.
<ul style="list-style-type: none"> <li>• Opere el bomba de residuos SOLAMENTE al aire libre.</li> <li>• Asegúrese de que los gases de escape no puedan entrar por ventanas, puertas, tomas de aire de ventilación u otras aberturas en un espacio cerrado en el que puedan acumularse.</li> <li>• NO arranque ni deje funcionar el motor en interiores ni en zonas cerradas, aunque haya ventanas y puertas abiertas.</li> </ul>	



### ¿Qué es la "altura total"?

La altura total es la altura de la columna de agua que puede generar la descarga de la bomba.

La altura de aspiración es la distancia vertical entre el centro de la bomba y la superficie del líquido en el lado de la succión de la bomba. Se puede referir también a como "ascensor de succión". La presión atmosférica de 14,7 psi en nivel del mar limita la succión ascensor de cabeza a menos que aproximadamente 26 pies para cualquier bomba.

La altura de descarga es la distancia vertical entre el puerto de la descarga de bomba y el punto de la descarga, que es la superficie líquida si la manga se sumerge o bombeando en el fondo de un tanque.

La altura total es la suma del valor de cabeza de succión más el valor de cabeza de descarga.

A medida que aumenta la altura del bombeo de agua, se reduce el rendimiento de la bomba. La longitud, el tipo y el tamaño de las mangueras de aspiración y descarga también pueden afectar en gran medida al rendimiento de la bomba.




La capacidad de descarga de agua es siempre superior a la de aspiración, por lo que es importante que la aspiración sea la parte más corta de la acción de bombeo. Esto reducirá el tiempo de cebado y mejorará el rendimiento de la bomba aumentando la altura total de descarga.

La altura máxima de aspiración es de 8 m (25 pies), y la altura máxima de descarga, de 28 m (92 pies). La altura total no puede superar 35,6 m (117 pies) (página siguiente).

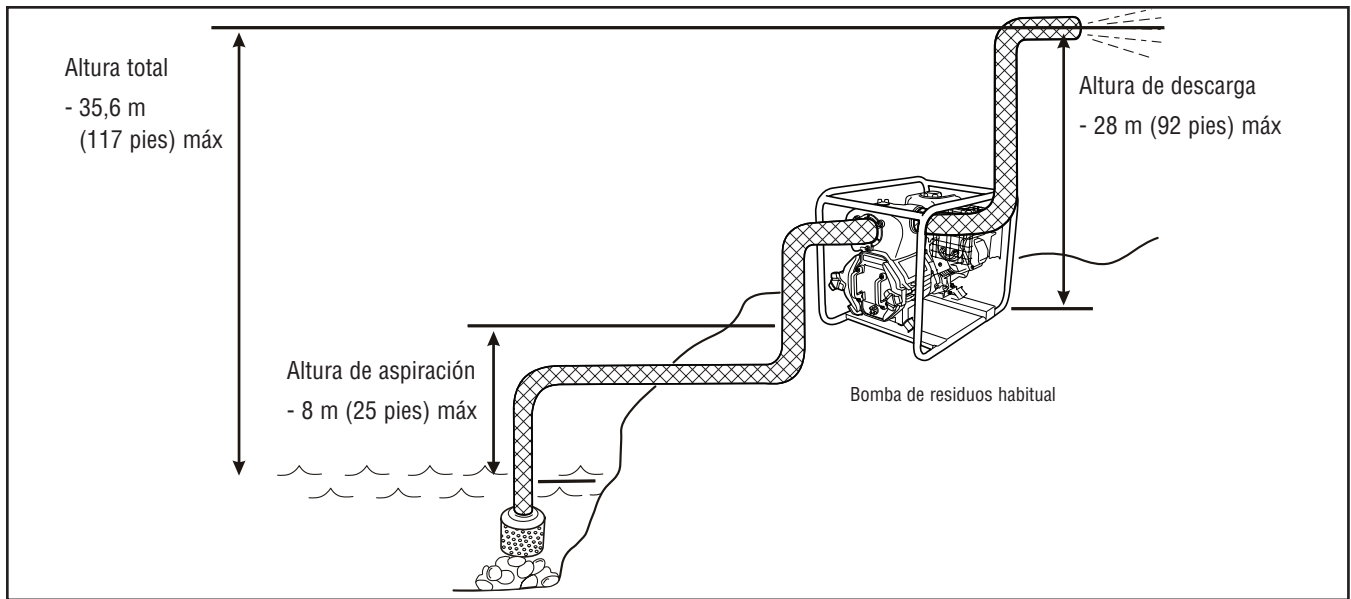
### Colocación de la bomba de residuos en una posición segura

Para mejorar el rendimiento de la bomba, ubíquela en una superficie plana y nivelada, lo más cerca posible del agua bombeada. Asegure la bomba de residuos para impedir su caída. No utilice mangueras más largas de lo necesario.

**IMPORTANTE:** No dirija el extremo abierto de la manguera de descarga hacia edificios, aparatos eléctricos u otros elementos que no desee mojar.

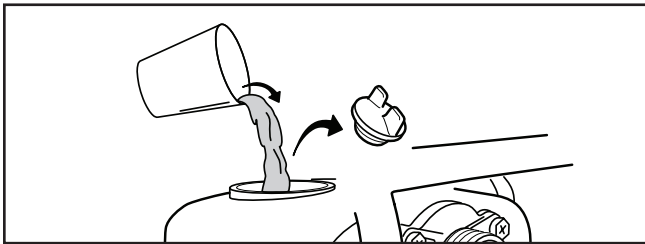
 <b>ADVERTENCIA</b>	
	La gasolina y sus vapores son extremadamente inflamables y explosivos.
	El fuego o una explosión pueden causar quemaduras severas e inclusive la muerte.
<b>CUANDO OPERE EL EQUIPO</b>	
<ul style="list-style-type: none"> <li>• Este bomba de residuos no es apto para el uso en equipos móviles ni en aplicaciones marinas.</li> <li>• NO incline el motor ni el equipo de forma que pueda derramarse el combustible.</li> <li>• Asegure la bomba de residuos. Las cargas de las mangueras pueden provocar la caída de la bomba.</li> </ul>	

Utilización



### Cebado de la bomba de residuos

1. Quite el tapón de la parte superior de la bomba.



2. Llene la bomba con agua limpia y clara hasta la parte superior del orificio de descarga.
3. Vuelva a colocar el tapón de la bomba.

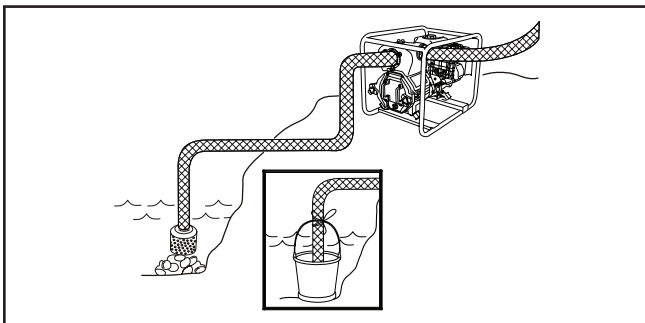
### AVISO

El tratamiento inadecuado del bomba de residuos puede dañarlo y acortar su vida productiva.

- Asegúrese de que la cámara de la bomba esté llena de agua antes de arrancar el motor. NUNCA utilice la bomba sin cebarla previamente.

### Colocación de la cesta del filtro en la fuente de agua

Coloque la cesta del filtro en el agua de bombeo. La cesta debe quedar totalmente sumergida.



### AVISO

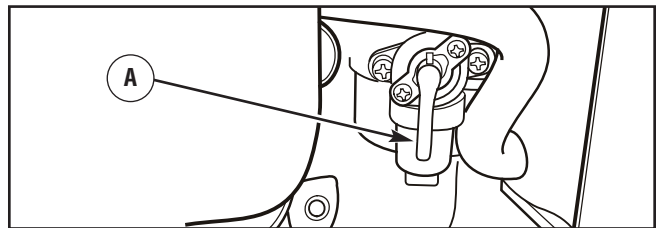
El tratamiento inadecuado del bomba de residuos puede dañarlo y acortar su vida productiva.

- NUNCA utilice la bomba sin un filtro en el extremo de la manguera de aspiración.
- Evite el contacto del filtro con la arena o el cieno, colóquelo en un cubo o sobre unas piedras.
- EVITE que la bomba funcione en seco para no dañar las juntas.

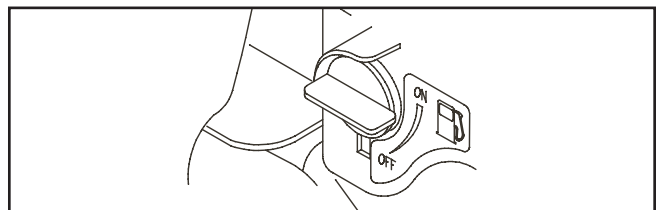
### Puesta en marcha de la bomba de residuos

Siga las siguientes instrucciones de puesta en marcha:

1. Asegúrese de que la unidad está ubicada en una superficie plana y nivelada y de que la cámara se ha cebado.
2. Modelo 073023 — Sitúe la válvula de combustible (A) en la posición "On". El tirador de la válvula de combustible quedará en posición vertical, apuntando hacia el suelo.

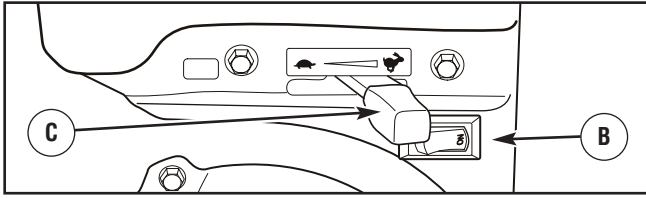


Modelo 0730238 — Sitúe la válvula de combustible en la posición "On".

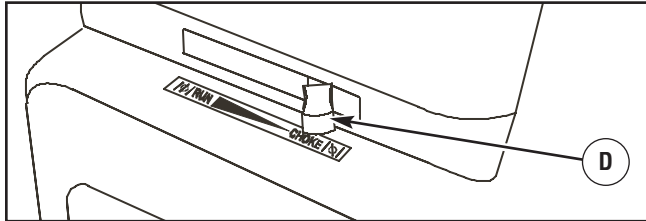




- Sitúe el interruptor ON/OFF (B) en la posición "On".
- Mueva la palanca del acelerador (C) hasta la posición "Rápido" (↗).



- Mueva la palanca estranguladora (D) hasta la posición "Estrangular" (↘).



- Agarre el asa del arrancador de retroceso y tire lentamente hasta notar una ligera resistencia. A continuación, tire rápidamente del asa para vencer la compresión, evitar el retroceso y arrancar.

<b>⚠ ADVERTENCIA</b>	
	El retroceso (repliegue rápido) del cable del arrancador puede producir lesiones. El retroceso impedirá que el usuario suelte el cable a tiempo y tirará de su mano y brazo hacia el motor.
	Como resultado, podrían producirse fracturas, contusiones o esguinces.
	• Cuando arranque el motor, tire lentamente del cable hasta sentir una resistencia y, a continuación, tire rápidamente de él para evitar su retroceso.

**IMPORTANTE:** Si el motor se ahoga, sitúe la palanca estranguladora en la posición "Funcionamiento" (↕) y tire del asa repetidamente hasta que el motor arranque.

- Mueva poco a poco la palanca estranguladora hacia la posición "Funcionamiento" (↕) a intervalos de segundos (tiempo cálido) o minutos (tiempo frío). Espere a que el motor funcione suavemente antes de cada cambio. Utilice la bomba con la palanca estranguladora en la posición "Funcionamiento" (↕).

**IMPORTANTE:** La bomba puede necesitar que transcurran varios minutos para empezar a bombear agua.

El rendimiento de la bomba se controla regulando la velocidad del motor. Mueva la palanca de velocidad del motor hacia la posición "Rápido" (↗) para aumentar el rendimiento del motor. Si la mueve hacia la posición "Lento" (↖), reducirá el rendimiento del motor.

<b>⚠ ADVERTENCIA</b>	
	El contacto con la zona del silenciador puede producir quemaduras graves.
	Los gases y el calor de escape pueden inflamar los materiales combustibles y las estructuras o dañar el depósito de combustible y provocar un incendio.
	<ul style="list-style-type: none"> <li>NO toque las superficies calientes y EVITE los gases del escape a alta temperatura.</li> <li>Permita que el equipo se enfríe antes de tocarlo.</li> <li>Deje un espacio mínimo de 1.5 m (5 pies) alrededor del bomba de residuos, incluida la parte superior.</li> </ul>

### Parada de la bomba de residuos

- Mueva la palanca de velocidad del motor hasta la posición "Lento" (↖).
- Sitúe el interruptor on/off en la posición "Off".
- Gire la válvula de combustible hasta la posición "Off".

<b>⚠ ADVERTENCIA</b>	
	El motor podría petardear, incendiarse o dañarse.
	• NO coloque la palanca estranguladora en la posición "Choke" para parar el motor.

## Después de cada uso

Evite que haya agua en el interior de la cámara de la bomba durante períodos prolongados. Podrían depositarse sedimentos y minerales en los componentes de la bomba y reducir su rendimiento. Siga estos procedimientos después de cada uso:

### Lave y vacíe la bomba de residuos y limpie la turbina

1. Pare el motor siguiendo las instrucciones de *Parada de la bomba de residuos*.
2. Desconecte el cable de la bujía de ésta y colóquelo donde no pueda hacer contacto con la bujía.

#### **ADVERTENCIA**

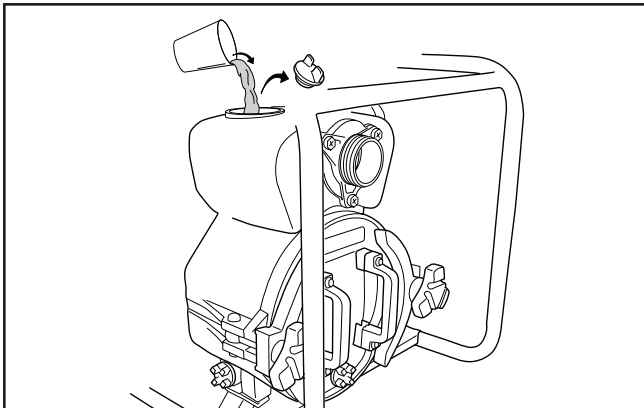


Chispear involuntario puede tener como resultado el fuego o el golpe eléctrico.

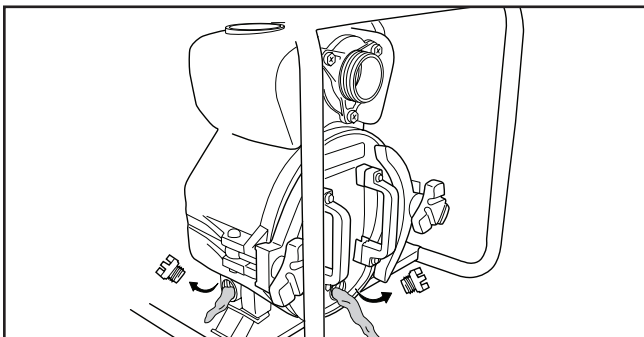


- NUNCA arranque el motor sin la bujías instalada.

3. Desconecte y vacíe las mangueras de aspiración y descarga.
4. Quite el tapón de cebado de la parte superior de la bomba y llénela de agua limpia.

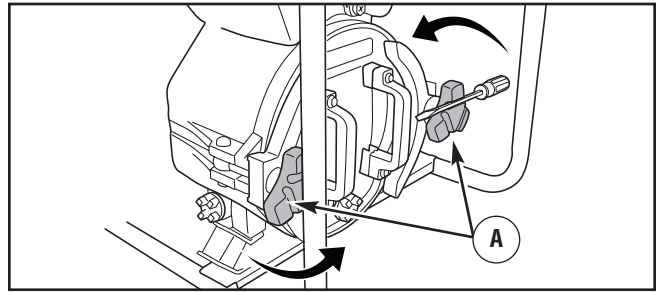


5. Quite los dos tapones de vaciado de la parte inferior de la bomba.

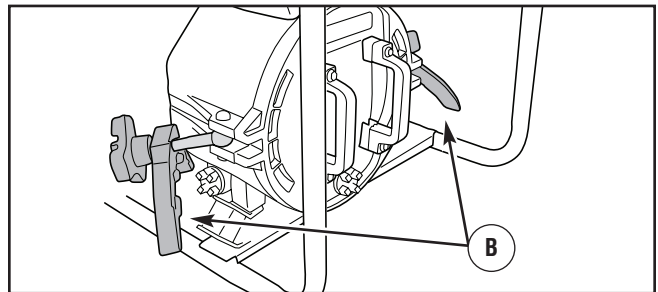


6. Vuelva a colocar todos los tapones y apriételos con la mano.

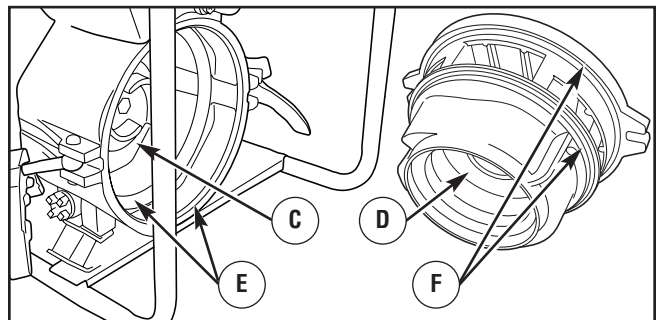
7. Afloje los dos pomos triangulares grandes (A) insertando una herramienta en las ranuras de los pomos para hacer palanca.



8. Abra las pinzas (B) de la placa protectora hacia el lateral.



9. Quite la placa protectora de la cámara de la bomba.
10. Limpie los residuos que pueda haber en el interior de la turbina (C) y la voluta (D). La voluta está atornillada en el interior de la placa protectora y no debería ser necesario desmontarla. Se puede utilizar una manguera de riego para limpiar estos componentes.
11. Para garantizar la estanqueidad, limpie las superficies de cierre (E) de la cámara de la bomba y las juntas tóricas de la placa protectora (F) antes de volver a montar la placa protectora.



12. Vuelva a montar la placa protectora con el tapón de vaciado en la parte inferior.
13. Vuelva a encajar las pinzas de la placa protectora asegurándose de que queden bien colocadas.
14. Enrosque los dos pomos triangulares grandes insertando una herramienta en sus ranuras para apretarlos bien.

# Mantenimiento

## Plan de mantenimiento

Observe los intervalos de horas o de calendario, lo que suceda antes. Se requiere un mantenimiento más frecuente al operar en condiciones adversas como se indica a continuación.

<b>Primeras Cinco (5) Horas</b>
• Cambie el aceite del motor
<b>Cada 8 horas o diario</b>
• Limpie los residuos
• Compruebe el nivel de aceite
<b>Cada 25 horas o una vez al año</b>
• Mantenimiento del filtro de aire <sup>1</sup>
<b>Cada 50 horas o una vez al año</b>
• Cambie el aceite del motor <sup>1</sup>
• Servicio al sistema de la bujía
<b>Cada 100 horas o una vez al año</b>
• Servicio a la bujía
• Limpie el sistema de refrigeración <sup>1</sup>
<b>Cada 250 horas o una vez al año</b>
• Compruebe la holgura de la válvula <sup>2</sup>

<sup>1</sup> Servicio más a menudo bajo condiciones de suciedad o polvo.

<sup>2</sup> Sólo el modelo 073024.

## Recomendaciones generales

El mantenimiento periódico mejorará el rendimiento y prolongará la vida útil de la bomba de residuos. Acuda a un distribuidor autorizado de Briggs & Stratton para reparar la unidad.

La garantía de la bomba de residuos no cubre los elementos sujetos a un uso indebido o negligente. Para hacer valer la garantía, el usuario deberá mantener la bomba conforme a las instrucciones de este manual.

Para mantener la bomba de residuos en buen estado, será necesario realizar algunos ajustes periódicamente.

La totalidad de las reparaciones y los ajustes se deberán realizar al menos una vez por temporada. Siga las indicaciones del cuadro Plan de mantenimiento.

**NOTA:** Limpie o cambie la bujía y cambie el filtro de aire una vez al año. Una bujía nueva y un filtro de aire limpio aseguran la mezcla adecuada de combustible y aire y contribuyen a mejorar el rendimiento del motor y a prolongar su vida útil.

## Mantenimiento del bomba de residuos

El mantenimiento consiste en mantener limpia la bomba de residuos. Guarde la unidad en un espacio limpio y seco, sin exceso de polvo, suciedad, humedad y vapores corrosivos. Las ranuras del aire de refrigeración del motor de la bomba de residuos no deben quedar obstruidas por hojas ni por ningún otro tipo de suciedad o material.

**NOTA:** NO utilice una manguera de jardinería para limpiar el motor de la bomba. Podría entrar agua en el conducto de combustible y causar problemas.

### Limpieza

Cada día, o antes de cada uso, examine la parte de alrededor y de debajo de la bomba en busca de signos de pérdida de aceite o combustible. Limpie los residuos acumulados en el interior y el exterior de la bomba. Mantenga limpias las conexiones, los muelles y los mandos del motor. Elimine los restos de combustible de la zona de alrededor y de encima del silenciador. Utilice aire a baja presión (no superior a 25 psi) para eliminar la suciedad. Inspeccione las ranuras y aberturas de aire de refrigeración de la bomba de residuos. Las aberturas deben estar limpias y despejadas.

Mantenga limpios los componentes del motor para reducir el riesgo de sobrecalentamiento e ignición de los residuos acumulados.

- Utilice un trapo húmedo para limpiar las superficies exteriores.
- Utilice un cepillo de cerda suave para eliminar los restos de suciedad o aceite endurecidos.
- Utilice una aspiradora para eliminar los restos sueltos de suciedad.

Elimine toda acumulación de cieno y sedimentos del cuerpo de la bomba.

- Siga las instrucciones de la sección titulada *Lave y vacíe la bomba de residuos y limpie la turbina.*

## Mantenimiento del motor

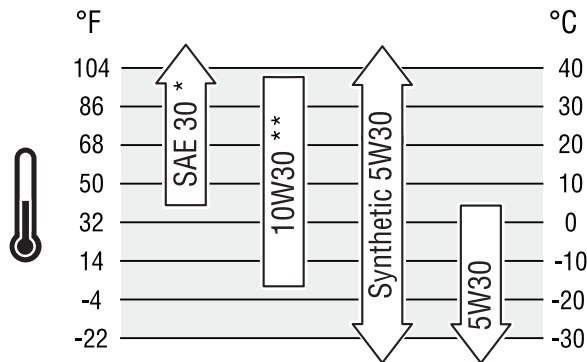
 <b>ADVERTENCIA</b>	
 	Chispear involuntario puede tener como resultado el fuego o el golpe eléctrico.
<b>CUANDO AJUSTE O HAGA REPARACIONES A SU MÁQUINA BOMBA DE RESIDUOS</b>	
• Siempre desconecte el alambre de la bujía y colóquelo donde no pueda entrar en contacto con la bujía.	
<b>CUANDO PRUEBE LA BUJÍA DEL MOTOR</b>	
• Utilice un comprobador de bujías homologado.	
• NO compruebe la chispa sin la bujía instalada.	

## Aceite

### Recomendaciones sobre el aceite

Para obtener el mejor rendimiento, recomendamos utilizar aceites certificados con garantía Briggs & Stratton. También se pueden utilizar otros aceites detergentes de alta calidad con clasificación de servicio SF, SG, SH, SJ o superior. NO utilice aditivos especiales.

Las temperaturas exteriores determinan la viscosidad adecuada del aceite para el motor. Utilice el cuadro para seleccionar la mejor viscosidad para el intervalo de temperatura exterior previsto.



\* Por debajo de 4 °C (40 °F), el uso de aceite SAE 30 provocará dificultades de arranque.

\*\* Por encima de 27 °C (80 °F) el uso de aceite 10W30 puede aumentar el consumo de aceite. Compruebe el nivel de aceite con mayor frecuencia.



**NOTA:** Todo aceite sintético que cumpla las especificaciones ILSAC GF-2, con marca de certificación API y con símbolo de servicio API (se muestra a la izquierda) con "SJ/CF ENERGY CONSERVING" o superior es un aceite aceptable a todas las temperaturas. El uso de aceite sintético no altera los intervalos de cambio de aceite indicados.

### Comprobación del nivel de aceite

Compruebe el nivel de aceite antes de cada uso o cada 8 horas de funcionamiento, como mínimo. Rellene si es necesario.

1. Coloque el bomba de residuos sobre una superficie nivelada.
2. Quite el tapón de llenado de aceite y límpielo con un trapo.
3. Compruebe que el aceite llega hasta el punto de desbordamiento en el orificio de llenado.
4. Instale el tapón de llenado de aceite, apriete firmemente.

### Adición de aceite del motor

1. Coloque el bomba de residuos sobre una superficie nivelada.
2. Compruebe el nivel de aceite tal como se indica en la sección *Comprobación del nivel de aceite*.

3. Si es necesario, vierta lentamente aceite por el orificio de llenado hasta el punto de desbordamiento en el tapón de llenado de aceite.
4. Instale el tapón de llenado de aceite, apriete firmemente.

### Cambio de aceite del motor

Cambie el aceite después de las primeras 5 horas de operación. Cambie el aceite cada 50 horas de ese momento en adelante. Si está utilizando su bomba de residuos bajo condiciones de extrema suciedad o polvo, o en un clima demasiado caliente, haga el cambio de aceite más frecuentemente.

#### AVISO

Evite el contacto prolongado o repetido de piel con aceite usado de motor.

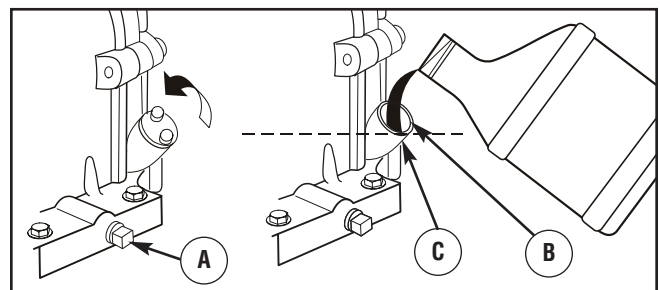
- El aceite usado del motor ha sido mostrado al cáncer de la piel de la causa en ciertos animales del laboratorio.
- Completamente lavado expuso áreas con el jabón y el agua.



MANTENER FUERA DEL ALCANCE DE LOS NIÑOS. NO CONTAMINE. CONSERVE LOS RECURSOS. DEPOSITE EL ACEITE USADO EN UN PUNTO DE RECOGIDA.

Cambie el aceite cuando el motor siga estando caliente después de haber funcionado:

1. Asegúrese de que la unidad esté en una superficie plana.
2. Desconecte el cable de la bujía de esta y colóquelo donde no pueda entrar en contacto con la bujía.
3. Limpie la zona de alrededor del tapón de vaciado de aceite (A), situado en la base del motor, al otro lado del carburador.






4. Quite el tapón de llenado de aceite y vacíe todo el aceite en un recipiente adecuado.
5. Vuelva a colocar el tapón de vaciado y apriételo bien. Quite el tapón de llenado de aceite.
6. Vierta lentamente unos 0,6 litros de aceite por el orificio de llenado (B) hasta el punto de desbordamiento (C). NO añada aceite en exceso.
7. Vuelva a colocar el tapón de llenado de aceite. Apriételo firmemente a mano.
8. Limpie los residuos de aceite.

## Revisión del filtro de aire

Si se utiliza con un filtro de aire sucio, el motor no funcionará correctamente y puede sufrir daños.

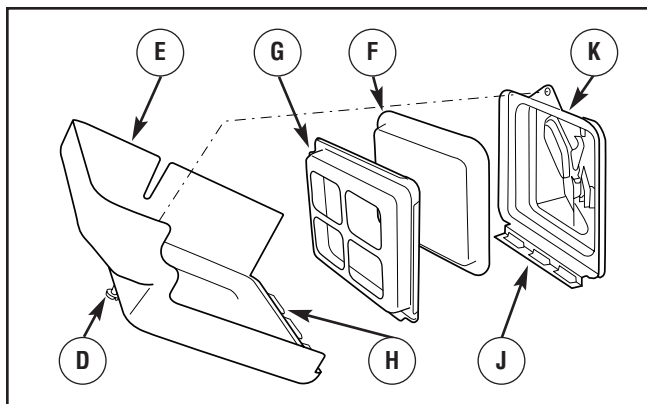
Cambie el filtro de aire cada 25 horas de funcionamiento o una vez al año, lo que suceda antes. Haga cambios más frecuentes si trabaja en zonas sucias o donde hay polvo.

 <b>ADVERTENCIA</b>	
	La gasolina y sus vapores son extremadamente inflamables y explosivos.
	El fuego o una explosión pueden causar quemaduras severas e inclusive la muerte.
<ul style="list-style-type: none"><li>• NUNCA arranque ni deje funcionar el motor sin el conjunto del filtro de aire o sin el filtro de aire de espuma.</li></ul>	

<b>AVISO</b>	
NO utilice aire comprimido ni disolventes para limpiar el filtro de aire de espuma.	
<ul style="list-style-type: none"><li>• El aire comprimido puede dañar el filtro de aire de espuma, y los disolventes lo disolverían.</li></ul>	

Para revisar el filtro de aire, siga estos pasos:

1. Afloje el tornillo (D) y quite la cubierta (E).

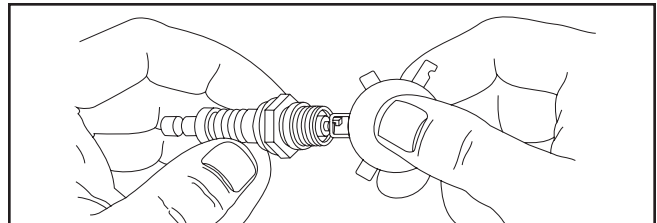


2. Quite el conjunto del filtro de aire de la tapa.
3. Separe con cuidado el filtro de aire de espuma (F) de la placa del filtro de aire (G).
4. Lave el filtro de aire de espuma en detergente líquido y agua. Para secarlo, escúrralo en un trapo limpio.
5. Empape el filtro de aire de espuma en aceite de motor limpio. Para eliminar el exceso de aceite, escúrralo en un trapo limpio.
6. Vuelva a montar el filtro de aire de espuma limpio y empapado en aceite en la placa del filtro de aire.
7. Encaje bien el conjunto del filtro de aire en la tapa.
8. Inserte las lengüetas (H) de la cubierta en las ranuras (J) que se encuentran en el fondo de la base (K).
9. Coloque la cubierta en su lugar y apriete el tornillo firmemente a la base.

## Revisión de la bujía

Cambie la bujía cada 100 horas de funcionamiento o una vez al año, lo que suceda antes. Esta operación hará que el motor arranque más fácilmente y funcione mejor.

1. Limpie la zona de alrededor de la bujía.
2. Retire e inspeccione la bujía.
3. Revise la separación del electrodo con un calibrador de alambre y ajuste la separación a 0.030 pulgadas (0.76 mm) si es necesario.



4. Cambie la bujía si los electrodos están picados o quemados o si la porcelana está agrietada. Utilice la bujía de repuesto recomendada. Consulte *Especificaciones*.
5. Instale la bujía y apriete firmemente.

## Limpieza de la pantalla apagachispas

Si utiliza la bomba de residuos en un terreno boscoso, con maleza o cubierto de hierba, debe utilizar un apagachispas. El propietario y el usuario son responsables del buen estado del mismo.

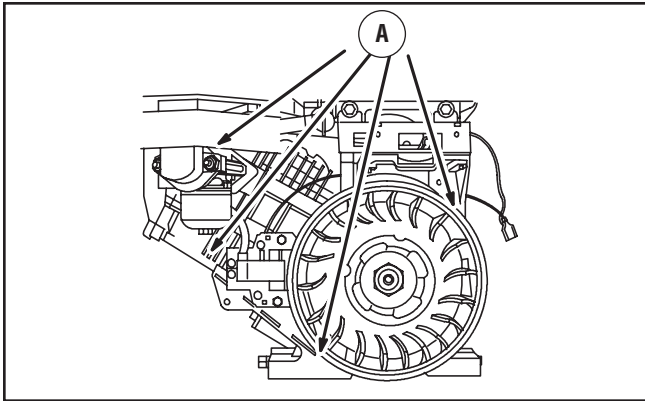
Si el motor ha estado en funcionamiento, la temperatura del silenciador será muy elevada. Deje enfriar el silenciador antes de realizar ninguna operación en el apagachispas.

 <b>ADVERTENCIA</b>	
	El contacto con la zona del silenciador puede producir quemaduras graves.
	Los gases y el calor de escape pueden inflamar los materiales combustibles y las estructuras o dañar el depósito de combustible y provocar un incendio.
<ul style="list-style-type: none"><li>• NO toque las superficies calientes y EVITE los gases del escape a alta temperatura.</li><li>• Permita que el equipo se enfríe antes de tocarlo.</li><li>• Deje un espacio mínimo de 1.5 m (5 pies) alrededor del bomba de residuos, incluida la parte superior.</li></ul>	

1. Retire la pantalla del apagachispas para proceder a su limpieza e inspección.
2. Examine la pantalla y cámbiela si está rota o perforada o si presenta algún otro daño. NO utilice una pantalla que no esté en perfectas condiciones. Si la pantalla no presenta daños, límpiela con un disolvente comercial.
3. Vuelva a montar la pantalla apagachispas en el silenciador.

## Sistema de refrigeración de aire

Con el tiempo, se pueden acumular residuos en las aletas de refrigeración del cilindro y pasar inadvertidos mientras no se desmonte parcialmente el motor. Recomendamos que encargue la limpieza del sistema de refrigeración (A) a un distribuidor autorizado de Briggs & Stratton siguiendo los intervalos recomendados (consulte la sección *Plan de Mantenimiento* en la sección *Mantenimiento*). Es igualmente importante que no se acumulen residuos en la parte superior del motor ni en la pantalla giratoria. Consulte la sección *Limpie los Residuos*.



## Revisión de la holgura de las válvulas (073024)

La revisión y el ajuste periódicos de la holgura de las válvulas mejora el rendimiento y prolonga la vida útil del motor. Este procedimiento requiere desmontar el motor parcialmente y usar herramientas especiales. Por esta razón, le recomendamos que un distribuidor autorizado revise y ajuste la holgura de las válvulas cada 250 horas o según el intervalo recomendado (consulte *Plan de mantenimiento* en la sección *Mantenimiento*).

## Almacenamiento

La bomba de residuos debe funcionar durante un mínimo de 30 minutos cada siete días, como mínimo. Si esta operación no es posible y necesita almacenar la unidad durante más de 30 días, utilice la siguiente información para prepararla.

### Instrucciones de almacenamiento a largo plazo

Durante el almacenamiento, es importante evitar la formación de residuos en los componentes esenciales del circuito de combustible: carburador, filtro de combustible, manguera de combustible y depósito. La experiencia también indica que los combustibles con mezcla de alcohol (gasohol, etanol o metanol) pueden atraer la humedad y provocar la separación y formación de ácidos durante el almacenamiento. Los combustibles ácidos pueden dañar el circuito de combustible y el motor durante el almacenamiento.

## Proteja el sistema de combustible

### Aditivo para combustible:

El combustible puede estar pasado 30 días después de su almacenamiento. El combustible pasado provoca la formación de residuos ácidos y de carbonilla en el circuito de combustible y en los componentes básicos del carburador. Para mantener el combustible en buen estado, utilice el estabilizador de combustible FRESH START™ de Briggs & Stratton en cualquiera de sus variantes: líquido o cartucho concentrado con goteo.

Si se añade un estabilizador de combustible conforme a las instrucciones, no será necesario vaciar el motor de combustible. Haga funcionar el motor durante dos minutos para que el estabilizador circule por todo el circuito de combustible. El motor y el combustible se pueden almacenar hasta 24 meses.

Si no se ha añadido un estabilizador de combustible a la gasolina, deberá vaciar completamente el motor utilizando un contenedor homologado. Deje funcionar el motor hasta que se agote el combustible. Se recomienda utilizar un estabilizador de combustible en el contenedor de almacenamiento para mantener la gasolina en buen estado.



## ADVERTENCIA



La gasolina y sus vapores son extremadamente inflamables y explosivos.



El fuego o una explosión pueden causar quemaduras severas e inclusive la muerte.

### CUANDO ALMACENE O GUARDE EL EQUIPO CON COMBUSTIBLE EN EL TANQUE

- Almacene alejado de calderas, estufas, calentadores de agua, secadoras de ropa u otros aparatos electrodomésticos que posean pilotos u otras fuentes de ignición, porque ellos pueden encender los vapores de la combustible.

### CUANDO VACÍE EL DEPÓSITO




- Apague el bomba de residuos (posición OFF) y déjelo enfriar al menos por 2 minutos antes de remover la tapa de la combustible. Afloje la tapa lentamente para dejar que la presión salga del tanque.
- Vacíe el depósito de combustible a la intemperie.
- Mantenga la gasolina alejada de chispas, llamas abiertas, pilotos, calor y otras fuentes de ignición.
- NO encienda un cigarrillo o fume.

## Cambio de aceite del motor

Con el motor todavía caliente, drene el aceite de la caja del cigüeñal. Vuelva a llenarlo con el grado de aceite recomendado. Vea *Cambio de Aceite del Motor* en la sección *Mantenimiento del Motor*.

### Aceite el diámetro interior del cilindro

- Quite la bujía y vierta aproximadamente 15 ml (1/2 onza) de aceite de motor limpio en el interior del cilindro.
- Coloque la bujía y arranque lentamente para distribuir el aceite.



 <b>ADVERTENCIA</b>	
 	Chispear involuntario puede tener como resultado el fuego o el golpe eléctrico.
• NUNCA tire del asa del arrancador cuando la bujía no esté instalada.	

### Bomba de residuos

1. Vacíe la bomba de residuos tal como se indica en la sección *Limpieza y vaciado de la bomba de residuos*.
2. Limpie la bomba de residuos según se describe en *Limpieza*.
3. Compruebe que las aberturas de la bomba de residuos estén abiertas y despejadas.

### Otras sugerencias para el almacenamiento

1. NO guarde combustible de una temporada a otra a menos que lo haya tratado como se indica en la sección *Aditivo para combustible*.
2. Reemplace la caneca de gasolina si comienza a oxidarse. El óxido y/o la suciedad en la gasolina le causará problemas.
3. Cubra la unidad con una funda adecuada que no retenga la humedad.

 <b>ADVERTENCIA</b>	
	Las cubiertas para almacenamiento pueden ser inflamables.
• NO coloque una cubierta encima de un bomba de residuos caliente.	
• Deje que la unidad se enfríe lo suficientemente antes de que le coloque la cubierta.	

4. Almacene la bomba de residuos en una zona limpia y seca.

## Resolución de Problemas

Problema	Motivo	Solución
La bomba funciona pero descarga poca o ningún agua.	<ol style="list-style-type: none"> <li>1. La bomba no se ha cebado.</li> <li>2. La manguera de aspiración está doblada, atascada o dañada, es demasiado larga o su diámetro es insuficiente.</li> <li>3. El filtro no está totalmente sumergido en agua.</li> <li>4. Fuga de aire en el conector de la manguera de aspiración.</li> <li>5. Filtro obstruido.</li> <li>6. La turbina está obstruida.</li> <li>7. La manguera de descarga está doblada o dañada, es demasiado larga o su diámetro es insuficiente.</li> <li>8. Exceso de altura marginal.</li> <li>9. La palanca de velocidad del motor está en la posición "Lento" (☹).</li> </ol>	<ol style="list-style-type: none"> <li>1. Llene la cámara de bomba con agua y ceba la bomba.</li> <li>2. Cambie la manguera de aspiración.</li> <li>3. Sumerja por completo en el agua el filtro y el extremo de la manguera de aspiración.</li> <li>4. Cambie la arandela si está dañada. Apriete el conector de la manguera y la abrazadera.</li> <li>5. Limpie los residuos del filtro.</li> <li>6. Limpie la turbina. Consulte <i>Después de cada uso</i>.</li> <li>7. Cambie la manguera de descarga.</li> <li>8. Cambie la posición de la bomba y/o las mangueras para reducir la altura.</li> <li>9. Mueva la palanca de velocidad del motor hasta la posición "Rápido" (☺).</li> </ol>
El motor no arranca, no tiene potencia, arranca y funciona irregularmente o falla.	<ol style="list-style-type: none"> <li>1. El interruptor on/off está en la posición "Off".</li> <li>2. La válvula de combustible está en la posición "Off".</li> <li>3. El filtro de aire está sucio.</li> <li>4. No queda combustible.</li> <li>5. El combustible está viejo, contaminado o contiene agua.</li> <li>6. El cable de la bujía no está conectado a ésta.</li> <li>7. Bujía en mal estado.</li> <li>8. El exceso de combustible en la mezcla de aire/combustible ahoga el motor.</li> <li>9. El carburador está mal ajustado.</li> </ol>	<ol style="list-style-type: none"> <li>1. Sitúe el interruptor on/off en la posición "On".</li> <li>2. Sitúe la válvula de combustible en la posición "On".</li> <li>3. Limpie o cambie el filtro de aire.</li> <li>4. Espere dos minutos y llene el depósito.</li> <li>5. Vacíe el depósito de combustible y el carburador. Llene el depósito con combustible nuevo.</li> <li>6. Conecte el cable a la bujía.</li> <li>7. Sustituya la bujía.</li> <li>8. Espere 5 minutos y vuelva a arrancar el motor.</li> <li>9. Póngase en contacto con el servicio técnico autorizado.</li> </ol>
El motor se para.	No queda combustible.	Espere dos minutos y llene el depósito.



## POLÍTICA DE GARANTÍA PARA EL PROPIETARIO DE UNA BOMBA DE AGUA BRIGGS & STRATTON POWER PRODUCTS GROUP, LLC

Fecha de entrada en vigor: 1 de febrero de 2006. Sustituye a todas las garantías sin fecha y a las de fecha anterior al 1 de febrero de 2006.

### GARANTÍA LIMITADA

Briggs & Stratton Power Products Group, LLC reparará o sustituirá sin cargo alguno cualquier componente de la bomba de agua que presente defectos de materiales y/o mano de obra. Los gastos de transporte de las productos enviadas para reparar o sustituir conforme a los términos de esta garantía correrán a cargo del comprador. El período de vigencia y las condiciones de esta garantía son los que se estipulan a continuación. Para obtener servicio en garantía, localice el distribuidor de servicio autorizado más próximo en nuestro mapa de distribuidores, en [www.BRIGGSandSTRATTON.COM](http://www.BRIGGSandSTRATTON.COM).

NO EXISTE NINGUNA OTRA GARANTÍA EXPLÍCITA. LAS GARANTÍAS IMPLÍCITAS, INCLUIDAS LAS DE COMERCIABILIDAD O IDONEIDAD PARA UN FIN CONCRETO, SE LIMITAN A UN AÑO A PARTIR DE LA FECHA DE COMPRA O AL LÍMITE DE TIEMPO PERMITIDO POR LA LEY. QUEDAN EXCLUIDAS TODAS LAS GARANTÍAS IMPLÍCITAS QUEDA EXCLUIDA LA RESPONSABILIDAD POR DAÑOS SECUNDARIOS Y DERIVADOS HASTA EL LÍMITE PERMITIDO POR LA LEY. Algunos países o estados no permiten limitar la duración de una garantía implícita ni excluir o limitar los daños secundarios y derivados. Por tanto, es posible que las limitaciones y exclusiones mencionadas no sean aplicables en su caso. Esta garantía le otorga determinados derechos legales y es posible que tenga otros derechos que pueden variar de un país o estado a otro.

### PERÍODO DE GARANTÍA

Uso del consumidor	2 año
Uso comercial	2 año

El período de garantía comienza en la fecha de compra del primer consumidor o usuario comercial final y se prolonga durante el tiempo especificado anteriormente. "Uso del consumidor" significa uso doméstico personal por parte de un consumidor final. "Uso comercial" significa cualquier otro uso, incluidos los usos con fines comerciales, de generación de ingresos o alquiler. Una vez que el equipo se haya usado con fines comerciales, se considerará como equipo de uso comercial a efectos de esta garantía.

NO ES NECESARIO REGISTRAR LA GARANTÍA PARA OBTENER SERVICIO DE BRIGGS & STRATTON PRODUCTS. GUARDE SU RECIBO DE COMPRA. SI NO APORTA LA PRUEBA DE LA FECHA DE COMPRA INICIAL EN EL MOMENTO DE SOLICITAR EL SERVICIO EN GARANTÍA, SE UTILIZARÁ LA FECHA DE FABRICACIÓN DEL PRODUCTO PARA DETERMINAR EL PERÍODO DE GARANTÍA.

### ACERCA DE LA GARANTÍA

Esperamos que disfrute de nuestra garantía y le pedimos disculpas por las molestias causadas. Cualquier distribuidor de servicio autorizado puede llevar a cabo reparaciones en garantía. La mayoría de las reparaciones en garantía se gestionan normalmente, pero algunas veces la solicitud de servicio en garantía puede no ser procedente. Por ejemplo, la garantía no será válida si el equipo presenta daños debidos al mal uso, la falta de mantenimiento, el transporte, la manipulación, el almacenamiento o la instalación inadecuados. De manera similar, la garantía quedará anulada si se ha borrado la fecha de fabricación o el número de serie de la bomba de agua o del motor, o si el equipo ha sido alterado o modificado. Durante el período de garantía, el distribuidor de servicio autorizado podrá reparar o sustituir, a su libre elección, cualquier pieza que, previa inspección, sea defectuosa en condiciones normales de uso y servicio. Esta garantía no cubre las reparaciones y los equipos que se detallan a continuación:

- **Desgaste normal.** Al igual que cualquier otro aparato mecánico, los equipos de uso en exteriores necesitan piezas y mantenimiento periódicos para funcionar correctamente. Esta garantía no cubre las reparaciones cuando el uso normal haya agotado la vida útil de una pieza concreta del equipo.
- **Instalación y mantenimiento.** Esta garantía no cubre los equipos ni las piezas cuya instalación sea incorrecta o no haya sido autorizada, ni aquellos que hayan sido objeto de cualquier tipo de alteración, mal uso, negligencia, accidente, sobrecarga, exceso de velocidad o mantenimiento, reparación o almacenamiento inadecuados que, a nuestro juicio, haya afectado negativamente a su funcionamiento y su fiabilidad. La garantía tampoco cubre el mantenimiento normal, como los filtros de aire, los ajustes y la limpieza o la obstrucción del sistema de combustión (debido a materias químicas, suciedad, etc.).
- **Otras exclusiones.** Esta garantía excluye los elementos sujetos a desgaste, como las juntas, las juntas tóricas, etc. También excluye las bombas que hayan funcionado sin agua o que hayan sufrido daños derivados de la congelación o el uso de productos químicos. La garantía de la bomba sólo cubre las aplicaciones con agua limpia, ya que ciertos componentes sufren un mayor desgaste cuando aumenta el porcentaje y el grado abrasivo de los sedimentos que pasan por la bomba. Los accesorios, como mangueras y filtros, quedan excluidos de la garantía del producto. Esta garantía excluye los fallos debidos a hechos fortuitos y a otros acontecimientos de fuerza mayor que escapan al control del fabricante. 198201S, Rev. B, 12/31/2006

BRIGGS & STRATTON POWER PRODUCTS GROUP, LLC  
JEFFERSON, WI, EE.UU.

Español

es

Garantía



**PROSERIES**

## Bomba de residuos

### Especificaciones del producto

#### Modelo 073023

Diámetro del orificio de aspiración . . . 50 mm (2 pulgadas)  
Diámetro del orificio de descarga . . . . 50 mm (2 pulgadas)  
Altura total . . . . . 35,6 m (117 pies)  
Altura máxima  
    Altura de aspiración . . . . . 8 m (25 pies)  
    Altura de descarga . . . . . 28 m (92 pies)  
Capacidad máxima  
de descarga . . . . 749,5 l (198 galones EE.UU.) por minuto  
Peso con embalaje . . . . . 32 kg (70 libras)  
Cilindrada . . . . . 190 cc (11,57 pulgadas)  
Bujía separación . . . . . 0,76 mm (0,030 pulgadas)  
Capacidad de combustible . . . . . 3,78 l (1 galón EE.UU.)  
Capacidad de aceite . . . . . 0,6 l (20 onzas)

#### Modelo 073024

Diámetro del orificio de aspiración . . . 76 mm (3 pulgadas)  
Diámetro del orificio de descarga . . . . 76 mm (3 pulgadas)  
Altura total . . . . . 35,6 m (117 pies)  
Altura máxima  
    Altura de aspiración . . . . . 8 m (25 pies)  
    Altura de descarga . . . . . 28 m (92 pies)  
Capacidad máxima  
de descarga . . . . 1.200 l (317 galones EE.UU.) por minuto  
Peso con embalaje . . . . . 38 kg (82 libras)  
Cilindrada . . . . . 305 cc (18,64 pulgadas)  
Bujía separación . . . . . 0,76 mm (0,030 pulgadas)  
Capacidad de combustible . . . . . 3,78 l (1 galón EE.UU.)  
Capacidad de aceite . . . . . 0,83 l (28 onzas)

### Servicio común despide

Depurador de aire . . . . . 696263  
Bujía de reóstato . . . . . 691043  
Botella de aceite de motor . . . . . 100005 o 100028  
Estabilizador de combustible . . . . . 100002 o 5041D

**Potencia nominal:** El valor de potencia bruta de cada modelo de motor de gasolina se indica en la etiqueta conforme a los requisitos del código J1940 (Procedimiento de valoración de potencia y par de pequeños motores) de la SAE (Society of Automotive Engineers, Sociedad de ingenieros de automoción). Los valores nominales se han obtenido y corregido conforme al código SAE J1995 (Revisión 2002-05). Los valores de par se obtienen a 3060 rpm, y los valores de potencia, a 3600 rpm. La potencia bruta real del motor será inferior y dependerá, entre otros factores, de las condiciones ambientales de uso y de las variaciones entre distintos motores del mismo modelo. Dada la amplia variedad de productos que utilizan nuestros motores y la multitud de factores ambientales que pueden afectar a su funcionamiento, es posible que el motor de gasolina no desarrolle toda su potencia bruta nominal en determinados equipos (potencia "en la aplicación" o neta real). Esta diferencia se debe, entre otros, a los siguientes factores: accesorios (filtro de aire, escape, carga, refrigeración, carburador, bomba de combustible, etc.), limitaciones de la aplicación, condiciones ambientales de uso (temperatura, humedad, altitud) y variaciones entre distintos motores de un mismo modelo. Briggs & Stratton podrá sustituir el motor de esta serie por otro de mayor potencia nominal en caso de limitaciones de fabricación o capacidad.

**Briggs & Stratton Power Products Group, LLC**  
900 N. Parkway  
Jefferson, Wisconsin, 53549 U.S.A.



**PROSERIES**

# Pompe à résidus Manuel d'utilisation



**BRIGGS & STRATTON POWER PRODUCTS GROUP, LLC  
JEFFERSON, WISCONSIN, U.S.A.**

**Merci** d'avoir acheté cette pompe à résidus de qualité Briggs & Stratton. Nous sommes heureux que vous fassiez confiance à la marque Briggs & Stratton. Si vous respectez les instructions d'utilisation et d'entretien de ce manuel, vous pourrez vous fier à votre pompe à résidus Briggs & Stratton durant de nombreuses années.

**Ce manuel contient** des renseignements sur la sécurité pour vous informer des dangers et des risques associés aux pompe à résidus et à la façon de les éviter. Cette pompe à résidus a été conçue pour être utilisée seulement pour transférer de l'eau pouvant contenir du sable, de la poussière et de petits débris et n'a pas été conçue pour aucune autre utilisation. Il est important de bien lire et comprendre entièrement ces directives avant de tenter de démarrer et d'utiliser cet équipement.

**Conservez ces instructions pour référence future.**

**Cette pompe à résidus exige un assemblage final avant utilisation.** Consultez la section *Assemblage* de ce manuel pour les directives sur les procédures d'assemblage finales. Suivez ces instructions à la lettre.

## Où nous trouver

Vous n'aurez jamais à chercher bien loin pour trouver un centre de support et service Briggs & Stratton pour votre pompe à résidus. Consultez les Pages Jaunes. Il y a plus de 30 000 distributeurs de service après-vente agréés Briggs & Stratton dans le monde qui offrent un service de qualité. Vous pouvez aussi au Service à la clientèle de Briggs & Stratton communiquer avec eux par Internet à l'adresse BRIGGSandSTRATTON.COM.

## Pompe à résidus

Numéro de modèle

--	--	--	--	--	--

Révision

--	--

Numéro de série

--	--	--	--	--	--	--	--	--	--

## Moteur

Numéro de modèle

--	--	--	--	--	--

Numéro de type

--	--	--	--	--	--	--	--

Numéro de code

--	--	--	--	--	--	--	--	--	--	--	--	--	--	--

## Date d'achat

--	--	--	--	--	--

Briggs & Stratton Power Products Group, LLC.  
900 North Parkway  
Jefferson, WI 53549

Copyright © 2007 Briggs & Stratton Power Products Group, LLC. Tous droits réservés. Aucune partie de ce manuel ne peut être reproduite ou transmise sous n'importe quelle forme et par quelque moyen que ce soit sans l'autorisation expresse écrite de Briggs & Stratton Power Products Group, LLC.

# Table des Matières

<b>Sécurité de l'opérateur</b> .....	<b>4</b>
Description de l'équipement .....	4
Règles de sécurité .....	4
<b>Assemblage</b> .....	<b>7</b>
Déballage du pompe à résidus .....	7
Ajoutez de l'huile à moteur .....	7
Ajoutez de l'essence .....	7
Fixation du boyau d'aspiration .....	8
Branchement du boyau d'évacuation (facultatif) .....	9
<b>Fonctions et commandes</b> .....	<b>10</b>
<b>Opération</b> .....	<b>11</b>
Pour un fonctionnement sécuritaire .....	11
Déplacement de la pompe vers un emplacement sécuritaire .....	11
Amorçage de la pompe à résidus .....	12
Localisation du panier-filtre dans la source d'eau .....	12
Démarrage de la pompe à résidus .....	12
Arrêt de la pompe à résidus .....	13
Après chaque utilisation .....	14
<b>Entretien</b> .....	<b>15</b>
Calendrier d'entretien .....	15
Entretien du pompe à résidus .....	15
Entretien du moteur .....	15
Entreposage .....	19
<b>Dépannage</b> .....	<b>20</b>
<b>Garantie</b> .....	<b>21</b>
Garantie du propriétaire d'une pompe à résidus .....	21
<b>Caractéristiques</b> .....	<b>22</b>
Caractéristiques du produit .....	22
Pièces d'entretien courant .....	22

## Sécurité de l'opérateur

### Description de l'équipement



Lisez bien ce manuel et familiarisez-vous avec votre pompe à résidus. Sachez à quoi elle peut servir, ses limites et les dangers qui y sont associés.

Cette pompe à résidus peut être utilisée pour transférer de l'eau pouvant contenir du sable, de la poussière et de petits débris. Le modèle 073023 peut pomper de l'eau contenant des matières solides ayant un diamètre allant jusqu'à 20,32 mm (0.8 po). Le modèle 073024 peut pomper de l'eau contenant des matières solides ayant un diamètre allant jusqu'à 30,48 mm (1.2 po).



### MISE EN GARDE

Cette pompe à résidus sont conçues pour pomper SEULEMENT de l'eau qui n'est pas destinée à la consommation par des humains.

Tout a été fait pour s'assurer que les renseignements contenus dans ce manuel soient exacts et à jour. Toutefois, nous nous réservons le droit de changer, de modifier ou d'améliorer le produit et ce document en tout temps, et ce, sans préavis.

Le dispositif antipollution de cette pompe à résidus répond aux normes de la Environmental Protection Agency et le California Air Resources Board.

### Règles de sécurité



Ceci est la sûreté le symbole vif. Il est utilisé pour vous alerter aux dangers de blessure personnels potentiels. Obéir tous messages de sûreté qui suivent ce symbole éviter la blessure ou la mort possibles.

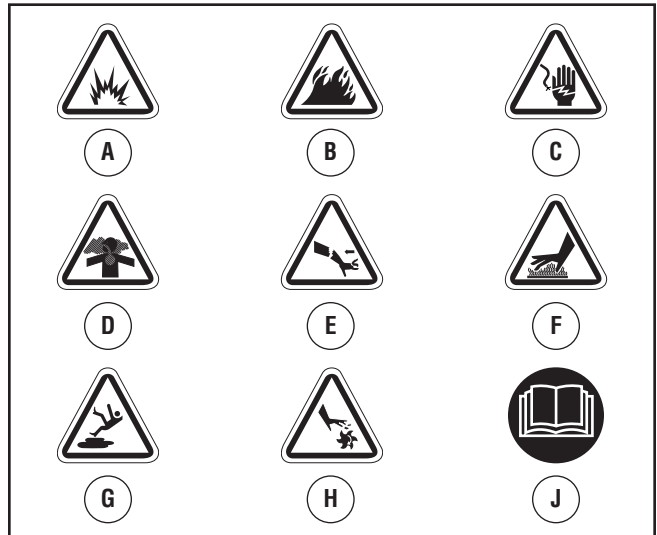
Le symbole indiquant un message de sécurité est accompagné d'un mot indicateur (DANGER, ATTENTION, AVERTISSEMENT), d'un message illustré et/ou d'un message de sécurité visant à vous avertir des dangers. **DANGER** indique un danger qui, s'il n'est pas évité, *provoquera* des blessures graves, voire fatales. **AVERTISSEMENT** indique un danger qui, s'il n'est pas évité, *peut* provoquer des blessures graves, voire fatales. **MISE EN GARDE** indique un danger qui, s'il n'est pas évité, *peut* provoquer des blessures mineures ou légères. Le mot **AVIS** indique une situation pouvant endommager l'équipement. Suivez les messages de sécurité pour éviter ou réduire les risques de blessures ou de mort.



### AVERTISSEMENT

L'échappement du moteur de ce produit contient des produits chimiques que l'État de Californie considère comme causant le cancer, des déformations à la naissance ou d'autres dangers concernant la reproduction.

### Symboles de danger et moyens



A - Explosion

B - Feu

C - Choc électrique

D - Emanations toxiques

E - Effet de recul



F - Surface chaude




G - Surface glissante



H - Parties en mouvement


J - Manuel d'utilisation

 <b>AVERTISSEMENT</b>	
	<p>Un moteur en marche dégage du monoxyde de carbone, un gaz inodore, incolore et toxique.</p> <p>L'inhalation du monoxyde de carbone peut causer des maux de tête, de la fatigue, des étourdissements, le vomissement, de la confusion, des crises épileptiques, des nausées, l'évanouissement ou la mort.</p>
<ul style="list-style-type: none"> <li>Faites fonctionner la pompe à résidus SEULEMENT à l'extérieur.</li> <li>Évitez que les gaz d'échappement entrent dans un espace restreint, par une fenêtre, une porte, une prise d'aération ou toute autre ouverture.</li> <li>NE démarrez, ni ne faites fonctionner un moteur à l'intérieur ou dans un espace fermé, même si les fenêtres ou les portes sont ouvertes.</li> </ul>	

 <b>AVERTISSEMENT</b>	
	<p>Usage de la pompe à résidus peut créer puddles et glissant.</p>
<ul style="list-style-type: none"> <li>Utilisez la pompe à résidus à partir d'une surface stable.</li> <li>La surface doit être inclinée et équipée d'écoulements afin de réduire la possibilité de chutes dues aux surfaces glissantes.</li> </ul>	

 <b>AVERTISSEMENT</b>	
 	<p>Unintentional peut résulter dans feu ou électrique.</p>
<p><b>LORSQUE VOUS RÉGLEZ OU RÉPAREZ VOTRE POMPE À EAU</b></p> <ul style="list-style-type: none"> <li>Débranchez toujours le câble de bougie et placez-le de façon à ce qu'il ne soit pas en contact avec la bougie.</li> </ul> <p><b>LORS DE TESTS D'ALLUMAGE DU MOTEUR</b></p> <ul style="list-style-type: none"> <li>Utilisez un vérificateur de bougies d'allumage approuvé.</li> <li>NE vérifiez PAS l'allumage lorsque la bougie d'allumage est enlevée.</li> </ul>	

 <b>AVERTISSEMENT</b>	
	<p>Démarreur et autre tourneres peut empêtrer mains, cheveux, vêtement, ou accessoires.</p>
<ul style="list-style-type: none"> <li>Ne placez JAMAIS vos mains ou des parties de votre corps à l'intérieur de la pompe ou des boyaux lorsqu'elle fonctionne.</li> <li>N'utilisez JAMAIS la pompe à résidus sans bâti ou couvercles protecteurs.</li> <li>NE portez PAS de vêtements lâches, de bijoux ou tout ce qui risquerait d'être pris dans le démarreur ou toute autre pièce rotative.</li> <li>Embouteiller des cheveux longs et enlève la bijouterie.</li> </ul>	

 <b>AVERTISSEMENT</b>	
 	<p>L'essence et ses vapeurs sont extrêmement inflammables et explosives.</p> <p>Le feu ou l'explosion risque de provoquer des blessures graves, pouvant être fatales.</p>
<p><b>LORS DE L'AJOUT OU DE LA VIDANGE DU CARBURANT</b></p> <ul style="list-style-type: none"> <li>Éteignez la pompe à résidus et laissez-le refroidir au moins 2 minutes avant de retirer le capuchon du réservoir de carburant. Desserrez lentement le capuchon pour laisser la pression s'échapper du réservoir.</li> <li>Remplissez ou vidangez le réservoir d'essence à l'extérieur.</li> <li>NE REMPLISSEZ PAS trop le réservoir. Laissez l'expansion de l'essence.</li> <li>Si du carburant est renversé, attendez qu'il s'évapore avant de démarrer le moteur.</li> <li>Éloignez l'essence des étincelles, des flammes, des veilleuses, de la chaleur et de toute autre source d'inflammation.</li> <li>N'ALLUMEZ PAS de cigarette ou ne fumez pas à proximité de l'appareil.</li> </ul> <p><b>LORS DU DÉMARRAGE DE L'ÉQUIPEMENT</b></p> <ul style="list-style-type: none"> <li>Assurez-vous que la bougie d'allumage, le silencieux, le bouchon à essence et le filtre à air sont en place.</li> <li>NE démarrez PAS le moteur lorsque la bougie d'allumage est enlevée.</li> </ul> <p><b>LORSQUE L'ÉQUIPEMENT FONCTIONNE</b></p> <ul style="list-style-type: none"> <li>NE pompez PAS des liquides inflammables comme de l'essence ou du mazout.</li> <li>Cette pompe à résidus n'est pas conçue pour être utilisée dans de l'équipement mobile ou les applications marines.</li> <li>NE penchez PAS le moteur ou l'équipement à un angle où l'essence peut se déverser.</li> <li>Fixez la pompe à résidus. Les charges contenues dans les boyaux peuvent entraîner un renversement.</li> </ul> <p><b>LORSQUE VOUS TRANSPORTEZ OU RÉPAREZ L'ÉQUIPEMENT</b></p> <ul style="list-style-type: none"> <li>Le réservoir d'essence doit être VIDE ou le robinet d'arrêt de carburant doit être à la position fermée (OFF) pendant le transport ou la réparation.</li> <li>Débranchez le câble de bougie.</li> </ul> <p><b>LORSQUE VOUS ENTREPOSEZ L'ESSENCE OU UN ÉQUIPEMENT AVEC UN RÉSERVOIR À ESSENCE</b></p> <ul style="list-style-type: none"> <li>Entreposez-le loin des appareils de chauffage, des fours, des chauffe-eau, des sècheuses ou de tout autre appareil électroménager disposant d'une veilleuse ou de toute autre source d'inflammation risquant d'enflammer les vapeurs d'essence.</li> </ul>	

**AVERTISSEMENT**

Un effet de recul (rétroaction rapide) de la corde du démarreur pourrait entraîner des blessures corporelles. L'effet de recul tirera votre main et votre bras vers le moteur plus rapidement que vous ne pouvez relâcher la corde.

Vous risquez ainsi de subir des fractures, des ecchymoses ou des entorses.

Tenir les mains et le corps éloignés du dispositif d'échappement de la pompe.

- Lors du démarrage du moteur, tirez lentement sur la corde jusqu'à ce que vous sentiez une résistance et tirez alors rapidement afin d'éviter un effet de recul.
- Fixez le tuyau d'échappement pour éviter un coup de fouet.

**AVERTISSEMENT**

Tout contact avec la zone du silencieux peut causer des brûlures graves.



La chaleur et les gaz d'échappement peuvent enflammer des matériaux combustibles et les structures ainsi que causer des dommages au réservoir d'essence et entraîner un incendie.

- NE touchez PAS aux pièces chaudes et évitez le contact avec les gaz d'échappement.
- Laissez l'équipement refroidir avant de le toucher.
- Laissez un dégagement d'au moins 1,5 m (5 pi) tout autour de la pompe à résidus, y compris au-dessus.

**MISE EN GARDE**

Des vitesses de fonctionnement excessivement élevées peuvent causer des blessures ou endommager la pompe à résidus.

Des vitesses excessivement lentes produisent une charge importante.

- NE modifiez PAS la vitesse réglée du moteur.
- NE modifiez PAS la pompe à résidus, d'aucune façon.
- NE laissez PAS les personnes non qualifiées ou les enfants opérer ou entretenir la pompe à résidus.

**AVIS**

Le traitement inadéquat de la pompe à résidus peut l'endommager et réduire sa durée de vie utile.

- Si vous avez des questions à propos de l'utilisation prévue de cet appareil, consultez votre détaillant ou communiquez avec un centre de service qualifié.
- Assurez-vous que la chambre de la pompe est pleine d'eau avant de lancer le moteur. Ne faites JAMAIS fonctionner la pompe sans l'amorcer.
- Utilisez un boyau semi-rigide du côté aspiration de la pompe.
- Utilisez la pompe à résidus seulement pour les utilisations pour lesquelles elle est conçue.
- Ne pompez que de l'eau qui n'est pas destinée à la consommation des humains.
- Pompez de l'eau de mer, des breuvages, des acides, des solutions chimiques ou tout autre liquide qui favorise la corrosion peut endommager la pompe.
- Assurez-vous que toutes les connexions sont étanches à l'air.
- N'obstruez PAS le boyau d'entrée ou d'évacuation, d'aucune manière.
- Ne faites JAMAIS fonctionner la pompe sans panier-filtre à l'extrémité du boyau d'aspiration.
- NE dépassez PAS la hauteur d'aspiration maximale de 8 m (25 pi) et une hauteur totale de 35,6 m (117 pi). Utilisez la hauteur d'aspiration la plus courte possible.
- Ne laissez JAMAIS de véhicules passer sur les boyaux. Si un boyau doit traverser une route, utilisez des planches de chaque côté du boyau pour permettre aux véhicules de passer sans l'obstruer ou l'écraser.
- Ancrez la pompe pour l'empêcher de bouger ou empêcher le déplacement de l'équipement, en particulier si elle est située près d'un fossé ou d'un ravin ouvert. L'équipement pourrait tomber dans le fossé ou le ravin.
- Placez l'équipement loin du bord d'une rivière ou d'un lac dont la berge pourrait s'effondrer.
- N'insérez AUCUN objet dans les fentes de refroidissement.
- N'utilisez JAMAIS un appareil ayant des pièces brisées ou manquantes ou sans bâti ou couvercles protecteurs.
- NE neutralisez AUCUN dispositif de sécurité de cette machine.
- N'utilisez JAMAIS le tuyau à haute pression comme poignée pour déplacer l'appareil. Utilisez toujours la poignée de l'appareil.
- Vérifiez la présence de fuites ou les signes de détérioration du système de combustible, comme un tuyau usé ou spongieux, des brides de serrage desserrées ou manquantes, ou un réservoir ou un bouchon endommagé. Réparez toutes les déficiences avant d'utiliser la pompe à résidus.
- Cet appareil est conçu pour être utilisé uniquement avec des pièces Briggs & Stratton approuvées. Si l'appareil est utilisé avec des pièces qui NE sont PAS conformes aux caractéristiques minimales, tous les risques et responsabilités incomberont à l'utilisateur.



# Assemblage



**Lisez le manuel de l'opérateur en entier avant de tenter d'assembler ou d'utiliser votre nouveau nettoyeur à haute pression.**

Votre pompe à résidus doit être assemblée et vous pourrez l'utiliser après l'avoir correctement remplie d'huile et d'essence recommandées.

Si vous avez n'importe quels problèmes avec l'assemblée de votre pompe à résidus, contacter le centre de réparation Briggs & Stratton le plus proche. Si vous téléphonez pour obtenir de l'aide, veuillez avoir disponibles les renseignements du données étiquettes: numéro de modèle, de révision et de série. Consultez la section *Commandes et fonctions* de la pompe à résidus pour connaître l'emplacement de l'étiquette de données.

## Déballage du pompe à résidus

1. Saque todo el contenido de la caja de cartón, a excepción de la pompe à résidus.
2. Ouvrez la boîte d'expédition en coupant tous les coins du haut vers le bas.
3. Enlevez la pompe à résidus de la boîte d'expédition.

### Les articles dans la boîte incluent:

- Pompe à résidus
- Sac de pièces (comprenant ce qui suit):
  - Ce manuel d'utilisation
  - Carte d'enregistrement du propriétaire
  - Panier-filtre et barbelure
  - Barbelure de boyau (2)
  - Manchon de barbelure (2)
  - Joint d'étanchéité en caoutchouc (2)
  - Bride de serrage (3)

### Pour mettre la pompe à résidus en état de fonctionnement, les tâches suivantes doivent être effectuées:

1. Remplir et envoyer la carte d'enregistrement.
2. Ajoutez de l'huile au carter du moteur.
3. Ajoutez de l'essence dans le réservoir.
4. Fixation du boyau d'aspiration.
5. Fixation du boyau d'évacuation. (facultatif)
6. Déplacement de la pompe vers un emplacement sécuritaire.
7. Amorçage de la pompe à résidus.
8. Localisation du panier-filtre dans la source d'eau.

## Ajoutez de l'huile à moteur

1. Placez la pompe à résidus sur une surface plane.
2. Nettoyez la surface autour de l'orifice de remplissage d'huile et enlevez la jauge d'huile.

**REMARQUE:** Consultez la section *Huile* au sujet des recommandations relatives à l'huile.

3. À l'aide d'un entonnoir pour huile (optionnel), videz lentement de l'huile dans l'orifice de remplissage d'huile, jusqu'à ce qu'elle déborde par l'orifice du couvercle de remplissage d'huile.

### AVIS

Un traitement inapproprié du pompe à résidus risque de l'endommager et de raccourcir sa durée d'utilisation.

- NE tentez JAMAIS de démarrer le moteur sans d'abord vérifier s'il a été entretenu de façon appropriée avec l'huile recommandée. Cela risquerait d'entraîner un bris de moteur.

4. Remplacez la jauge d'huile et serrez-la solidement.

## Ajoutez de l'essence

### L'essence satisfait les exigences suivantes:

- Essence sans plomb fraîche et propre.
- Un indice d'octane minimum de 87/87 AKI (91 IOR). Utilisation à des altitudes élevées, consultez la section *Altitude élevée*.
- Une essence avec jusqu'à 10 % d'éthanol (gazohol) ou jusqu'à 15 % d'éther méthyltertiobutylique est acceptable.

### AVIS

Évitez d'endommager le pompe à résidus.

Le manquement à suivre les recommandations relatives à l'huile du manuel d'utilisation annule la garantie.

- NE PAS utiliser d'essence non approuvée telle que E85.
- NE PAS mélanger l'huile avec l'essence.
- NE PAS modifier le moteur afin qu'il fonctionne avec d'autres types d'essence.

Au moment d'ajouter de l'essence, la mélanger avec un stabilisateur d'essence afin de protéger le circuit d'alimentation contre la formation de dépôts de gomme. Voir *Entreposage*. Les essences ne sont pas toutes pareilles. Si vous éprouvez des problèmes de démarrage ou de performance après avoir utilisé une essence, changez de fournisseur d'essence ou de marque d'essence. Le fonctionnement du moteur avec de l'essence est certifié. Ce dispositif antipollution pour ce moteur est de type EM (Modifications de moteur).



## AVERTISSEMENT



L'essence et ses vapeurs sont extrêmement inflammables et explosives.

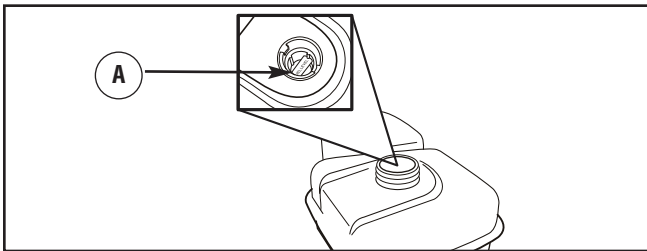


Le feu ou l'explosion risque de provoquer des blessures graves, pouvant être fatales.

### LORS DE L'AJOUT DU CARBURANT

- Éteignez le pompe à résidus et laissez-le refroidir au moins 2 minutes avant de retirer le capuchon du réservoir de carburant. Desserrez lentement le capuchon pour laisser la pression s'échapper du réservoir.
- Remplissez ou vidangez le réservoir d'essence à l'extérieur.
- NE remplissez PAS trop le réservoir. Laissez l'expansion de l'essence.
- Attendez le carburant renversé pour s'évaporer avant de démarrer le moteur.
- Éloignez l'essence des étincelles, des flammes, des veilleuses, de la chaleur et de toute autre source d'inflammation.
- N'ALLUMEZ PAS de cigarette ou ne fumez pas à proximité de l'appareil.

1. Nettoyez la partie autour du bouchon du réservoir d'essence, enlevez le bouchon.
2. Ajoutez lentement de l'essence sans plomb ordinaire dans le réservoir d'essence. Remplissez jusqu'à la marque de niveau de carburant (A). Faites attention pour ne pas trop remplir.



3. Remettez le bouchon à essence et attendez le carburant renversé pour s'évaporer.

### Altitude élevée

À des altitudes de plus de 1524 m (5 000 pi), il convient d'utiliser des essences présentant un indice d'octane minimal de 85/85 AKI (89 IOR). Un réglage pour les altitudes élevées est requis pour respecter les normes relatives aux émissions. Une utilisation sans ce réglage entraîne une diminution de la performance ainsi qu'une augmentation de la consommation d'essence et des émissions. Consultez un détaillant autorisé Briggs & Stratton pour des renseignements sur les réglages pour les altitudes élevées. L'utilisation à des altitudes inférieures à 762 mètres (2 500 pieds) avec la trousse pour les altitudes élevées est déconseillée.

### Fixation du boyau d'aspiration

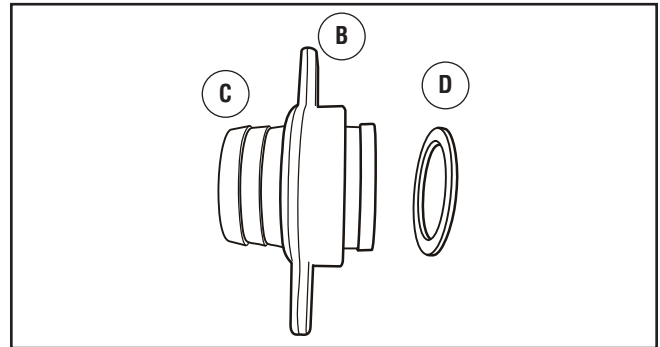
Vous aurez besoin des outils suivants pour fixer le boyau d'aspiration au panier-filtre:

- Tournevis standard de 1/4" ou 6 mm

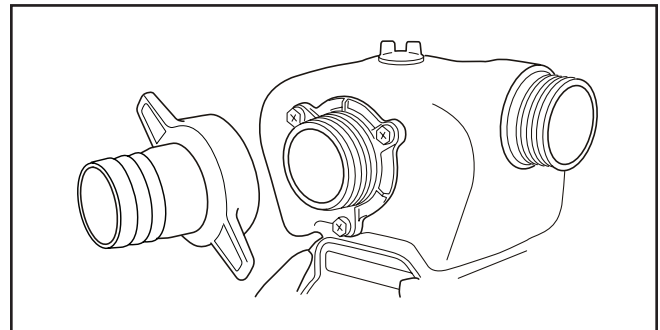
### Branchement du boyau d'aspiration à la pompe

Utilisez un boyau disponible sur le marché. Le boyau d'aspiration doit être renforcé et posséder une paroi semi-rigide ou faite de matériau tressé. N'utilisez PAS un boyau dont le diamètre interne est plus petit que la taille de l'orifice d'aspiration de la pompe.

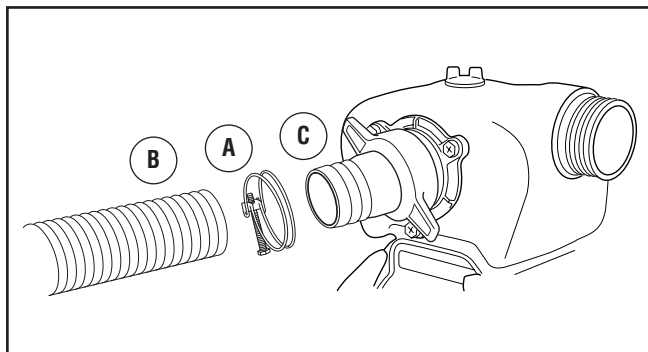
1. Glissez le manchon de barbelure (B) sur la barbelure (C). Insérez un joint d'étanchéité en caoutchouc (D) à l'extrémité du manchon de barbelure.



2. Vissez le manchon de boyau sur la pompe en sens horaire jusqu'à ce que la barbelure soit fixée solidement.

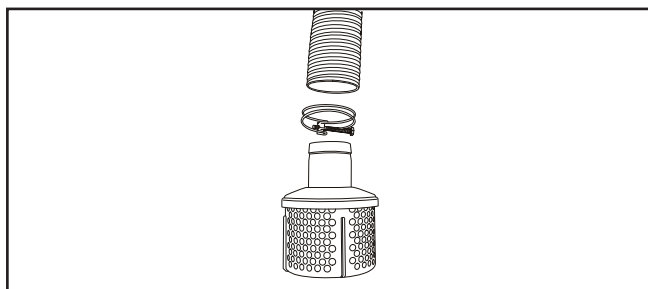


3. Glissez la bride de serrage (A) sur l'extrémité du boyau (B). Glissez le boyau d'aspiration sur la barbelure (C). Serrez la bride de serrage à l'aide d'un tournevis régulier de 6 mm (1/4 po).



### Fixation du boyau d'aspiration au panier-filtre

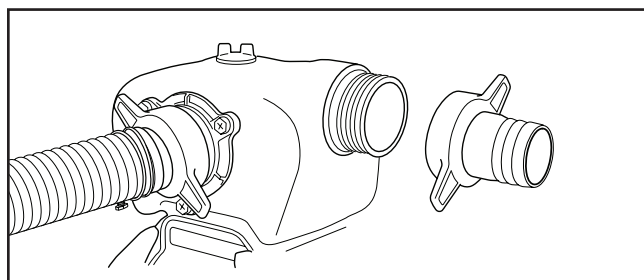
Glissez la bride de serrage sur le boyau. Fixez l'extrémité ouverte du boyau d'aspiration à la barbelure du panier-filtre. Serrez la bride de serrage à l'aide d'un tournevis régulier de 6 mm (1/4 po).



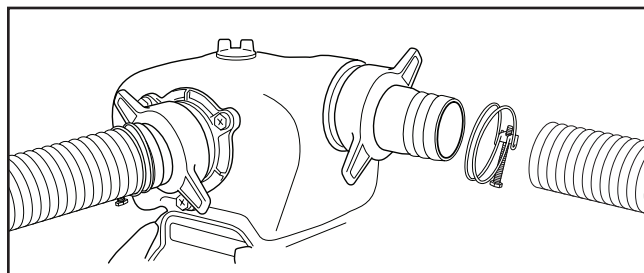
### Branchement du boyau d'évacuation (facultatif)

Si désiré, utilisez un boyau disponible sur le marché. N'utilisez PAS un boyau dont le diamètre interne est plus petit que la taille de l'orifice d'évacuation de la pompe.

1. Glissez le manchon de barbelure sur la barbelure. Insérez un joint d'étanchéité en caoutchouc à l'extrémité du manchon de barbelure tel que montré plus haut.
2. Vissez le manchon de boyau sur la pompe en sens horaire jusqu'à ce que la barbelure soit fixée solidement.



3. Glissez la bride de serrage sur l'extrémité du boyau d'évacuation. Glissez le boyau d'évacuation sur la barbelure. Serrez la bride de serrage à l'aide d'un tournevis régulier de 6 mm (1/4 po).

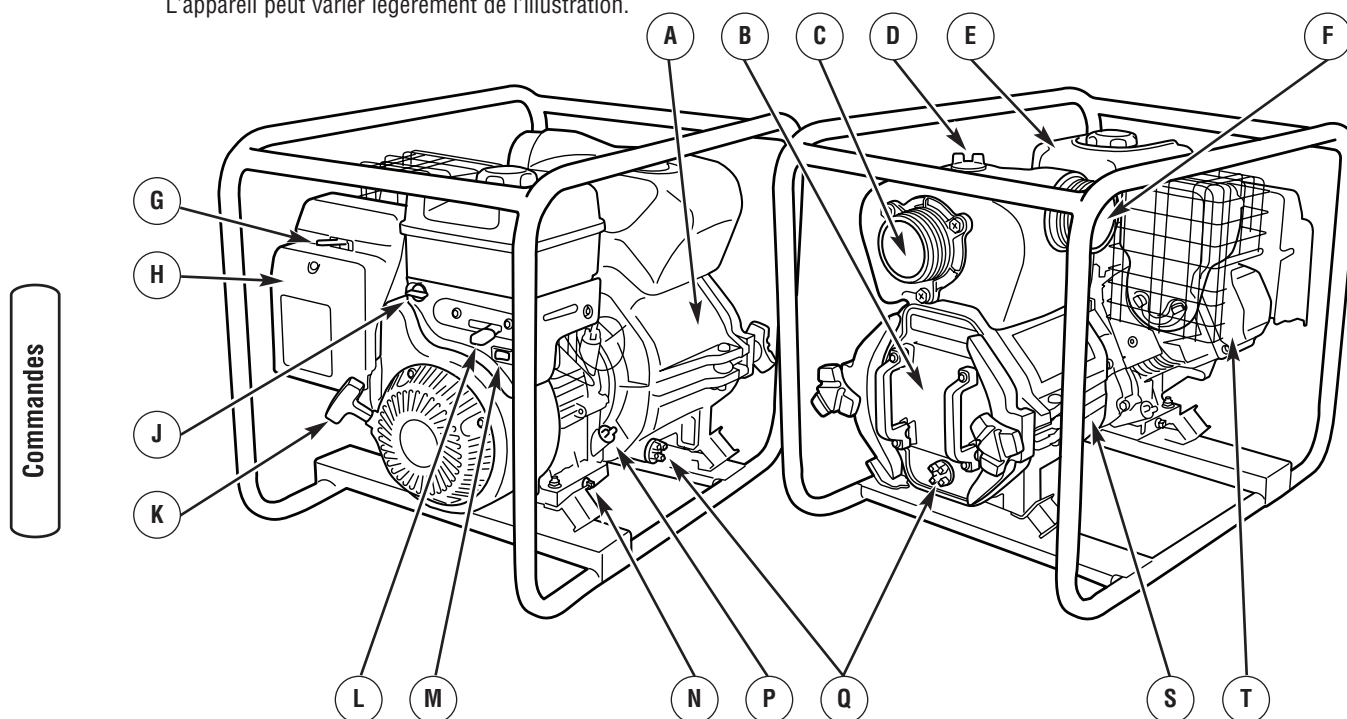


## Fonctions et commandes



Lisez ce manuel d'utilisation ainsi que les règles de sécurité avant de faire fonctionner votre pompe à résidus. Comparez les illustrations avec votre pompe à résidus pour vous familiariser avec l'emplacement des différents boutons et réglages. Conservez ce manuel pour référence ultérieure.

L'appareil peut varier légèrement de l'illustration.



**A - Étiquette de données** — Indique le numéro de modèle, de révision et de série de la pompe à résidus. Veuillez avoir ces renseignements sous la main lors d'appel de service.

**B - Plaque de recouvrement de la pompe** — Retirez pour nettoyer la tête de pompe.

**C - Prise d'aspiration** — Branchez le boyau d'aspiration renforcé ici.

**D - Amorceur** — Remplissez la pompe d'eau ici pour amorcer la pompe avant de la faire démarrer.

**E - Réservoir d'essence** — Remplissez le réservoir avec de l'essence ordinaire sans plomb. Laissez toujours de la place pour l'expansion de l'essence.

**F - Orifice d'évacuation** — Branchez le boyau d'évacuation à cet endroit.

**G - Levier d'étrangleur** — Utilisé lors du démarrage à froid d'un moteur.

**H - Filtre à air** — Protège le moteur en filtrant la poussière et les débris dans la prise d'air.

**J - Robinet d'arrêt de carburant** — Utilisé pour alimenter le moteur en essence ou pour couper l'alimentation en essence du moteur.

Modèle 073023 — situé à l'arrière du filtre à air sur le carburateur.

Modèle 073024 — situé à gauche du levier du régime du moteur du tableau de commande du moteur.

**K - Lanceur** — Utilisé pour le démarrage du moteur.

**L - Levier de papillon** — Utilisé pour régler la vitesse du moteur afin de contrôler le débit de la pompe.

**M - Interrupteur ON/OFF** — Réglez cet interrupteur sur "On" avant d'utiliser le lanceur. Réglez l'interrupteur sur "Off" pour arrêter le moteur.

**N - Bouchons de vidange d'huile** — Vidangez l'huile du moteur ici.

**P - Bouchon de remplissage** — Vérifiez le niveau d'huile et videz l'huile à moteur ici.

**Q - Bouchon de vidange d'eau** — Retirez-le pour vidanger l'eau de la pompe et rincez les composants internes avec de l'eau claire.

**S - Chambre de la pompe** — Assurez-vous qu'elle est pleine d'eau avant de lancer le moteur.

**T - Information de moteur** — Affranchi sur la couverture de soupape. Indique le numéro de modèle, de type et taille de la pompe. Veuillez avoir ces renseignements sous la main lors d'appel de service.

### Article non montrés:

**Panier-filtre** — Utilisé pour limiter le passage de matériels abrasifs dans la pompe.

## Opération

Si vous éprouvez des problèmes lors de l'utilisation de votre pompe à résidus, contacter le centre de réparation Briggs & Stratton le plus proche.

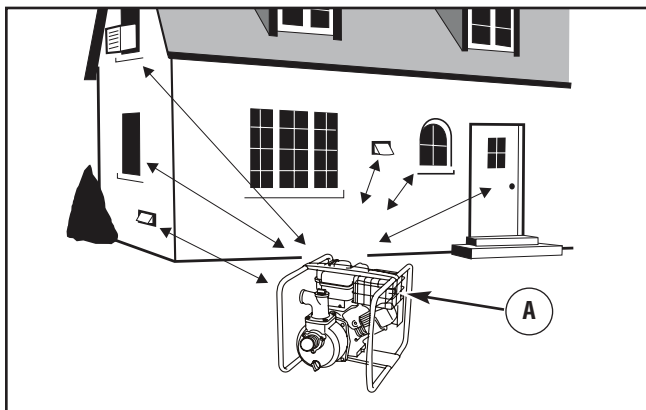
### Pour un fonctionnement sécuritaire

#### Dégagements et mouvement de l'air

 <b>AVERTISSEMENT</b>	
	La chaleur et les gaz d'échappement peuvent enflammer des matériaux combustibles et les structures ainsi que causer des dommages au réservoir d'essence et entraîner un incendie.
<ul style="list-style-type: none"><li>• Laissez un dégagement d'au moins 1,5 m (5 pi) tout autour de la pompe à résidus, y compris au-dessus.</li></ul>	

Placez la pompe à résidus dans un endroit bien ventilé qui permet l'élimination des gaz d'échappement mortels. N'installez PAS la pompe à résidus dans un endroit où les gaz d'échappement (A) pourraient s'accumuler et pénétrer ou être aspirés dans un édifice qui pourrait être occupé. Assurez-vous que les gaz d'échappement ne puissent entrer par une fenêtre, une porte, une prise d'aération ou une autre ouverture qui pourrait leur permettre de s'accumuler dans un espace restreint. Tenez aussi compte des vents dominants et des courants d'air au moment de choisir l'endroit où vous installerez la pompe à résidus.

 <b>AVERTISSEMENT</b>	
	Un moteur en marche dégage du monoxyde de carbone, un gaz inodore, incolore et toxique. L'inhalation du monoxyde de carbone peut causer des maux de tête, de la fatigue, des étourdissements, le vomissement, de la confusion, des crises épileptiques, des nausées, l'évanouissement ou la mort.
<ul style="list-style-type: none"><li>• Faites fonctionner la pompe à résidus SEULEMENT à l'extérieur.</li><li>• Évitez que les gaz d'échappement entrent dans un espace restreint, par une fenêtre, une porte, une prise d'aération ou toute autre ouverture.</li><li>• NE démarrez, ni ne faites fonctionner un moteur à l'intérieur ou dans un espace fermé, même si les fenêtres ou les portes sont ouvertes.</li></ul>	



### Qu'est-ce que la "hauteur"?

La hauteur fait référence à la hauteur d'une colonne d'eau qui peut être évacuée de la pompe.

La hauteur de succion est la distance verticale entre le centre de la pompe et la surface du liquide sur le côté de succion de la pompe. Peut être aussi référé à comme "l'ascenseur de succion". La pression atmosphérique de 14,7 livres par pouce carré à l'ascenseur de tête de succion de limites de niveau de la mer à moins qu'approximativement 26 pieds pour n'importe quelle pompe.

La hauteur de décharge est la distance verticale entre le port de décharge de la pompe et le point de décharge, qui est la surface liquide si le tuyau est submergé ou pompant dans le fond d'un réservoir.

La hauteur totale est la somme de la valeur de tête de succion plus la valeur de tête de décharge.

À mesure que la hauteur de pompage de l'eau augmente, le débit de pompage diminue. La longueur, le type et la taille des boyaux d'aspiration et d'évacuation peuvent aussi modifier grandement le débit de pompage.




Est donc important que le fonctionnement de l'aspiration représente la partie la plus courte du pompage total. Cela réduira la durée d'amorçage et améliorera la performance de la pompe en augmentant la hauteur d'évacuation.

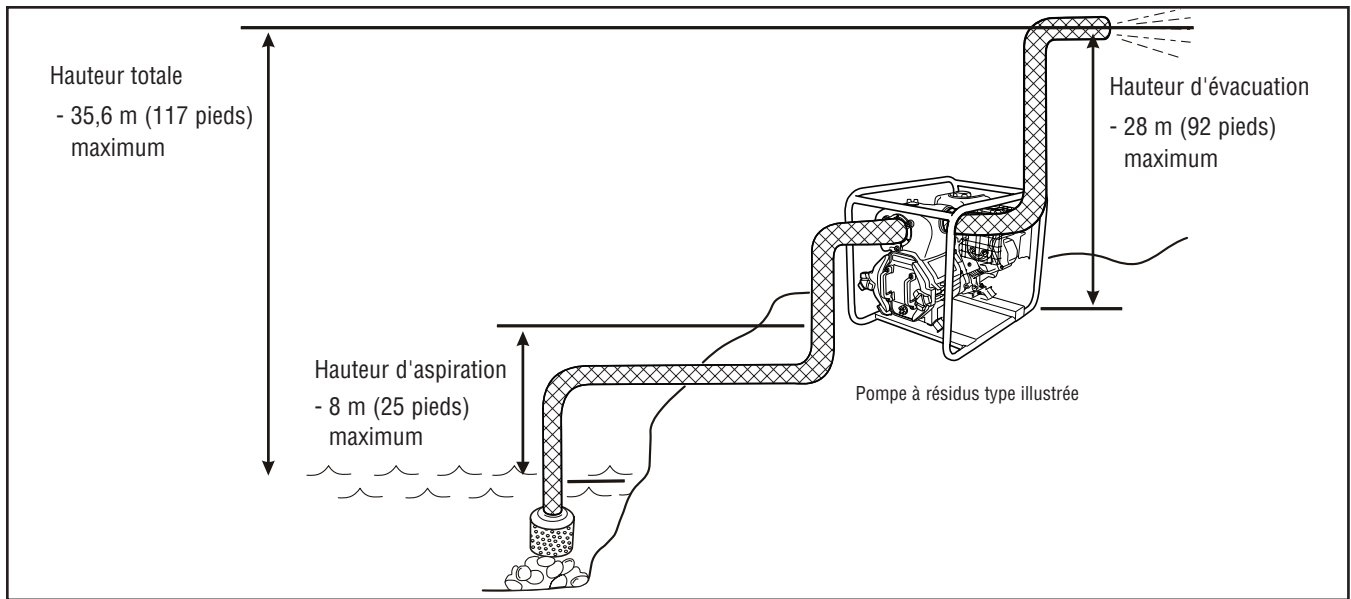
La hauteur d'aspiration devrait être d'un maximum de 8 m (25 pi) et la hauteur d'évacuation d'un maximum de 28 m (92 pi). La hauteur totale ne peut dépasser 35.6 m (117 pi) (à la page suivante).

### Déplacement de la pompe vers un emplacement sécuritaire

Pour une meilleure performance de la pompe, placez-la sur une surface plane le plus près possible de l'eau à pomper. Fixez la pompe à résidus afin d'éviter un renversement. Utilisez des boyaux qui ne sont pas plus longs que nécessaire.

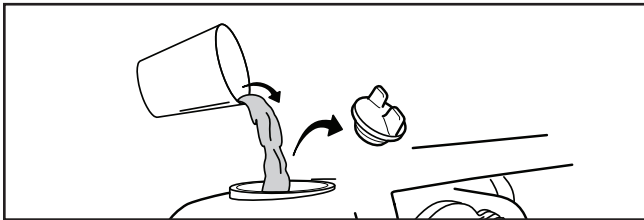
**IMPORTANT:** Dirigez l'extrémité ouverte du boyau d'évacuation loin de la maison, d'appareils électriques et de tout objet ne devant pas être mouillé.

 <b>AVERTISSEMENT</b>	
	L'essence et ses vapeurs sont extrêmement inflammables et explosives.
	Le feu ou l'explosion risque de provoquer des blessures graves, pouvant être fatales.
<b>LORSQUE L'ÉQUIPEMENT FONCTIONNE</b>	
<ul style="list-style-type: none"><li>• Cette pompe à résidus n'est pas conçue pour être utilisée dans de l'équipement mobile ou les applications marines.</li><li>• NE penchez PAS le moteur ou l'équipement à un angle où l'essence peut se déverser.</li><li>• Fixez la pompe à résidus. Les charges contenues dans les boyaux peuvent entraîner un renversement.</li></ul>	



### Amorçage de la pompe à résidus

1. Enlevez le bouchon fixé sur le dessus de la pompe.
2. Remplissez la pompe avec de l'eau claire jusqu'à la partie supérieure de l'orifice d'évacuation.



3. Remplacez le bouchon de la pompe.

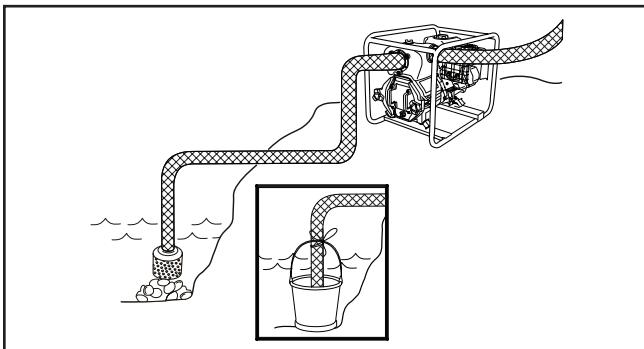
#### AVIS

Un traitement inapproprié du pompe à résidus risque de l'endommager et de raccourcir sa durée d'utilisation.

- Assurez-vous que la chambre de la pompe est pleine d'eau avant de lancer le moteur. Ne faites JAMAIS fonctionner la pompe sans l'amorcer.

### Localisation du panier-filtre dans la source d'eau

Placez le panier-filtre dans l'eau à pomper. Le panier doit être complètement immergé.



#### AVIS

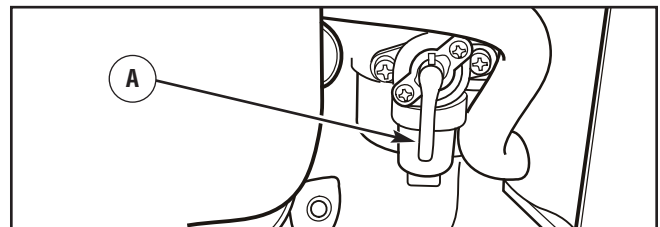
Un traitement inapproprié du pompe à résidus risque de l'endommager et de raccourcir sa durée d'utilisation.

- Ne faites JAMAIS fonctionner la pompe sans panier-filtre à l'extrémité du boyau d'aspiration
- Ne placez pas le panier-filtre dans le sable ou la vase, dans un seau ou sur des pierres.
- NE faites PAS fonctionner la pompe à résidus lorsqu'il n'y a plus d'eau car cela risquerait d'endommager les joints d'étanchéité.

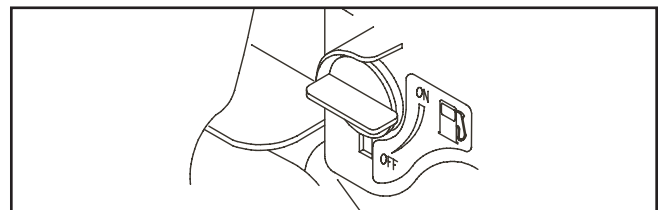
### Démarrage de la pompe à résidus

Suivez les directives de démarrage suivantes:

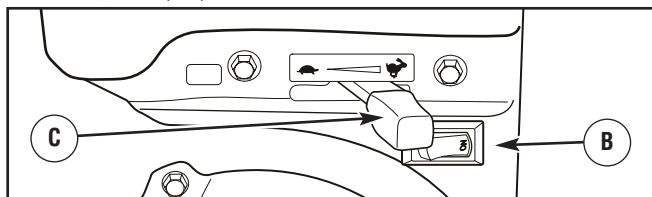
1. Assurez-vous que l'unité est sur une surface plane et que la chambre de la pompe est amorcée.
2. Modèle 073023 — Tournez la vanne de combustible blanche (A) à la position "On". La poignée de la vanne de combustible sera à la verticale (pointant vers le sol).



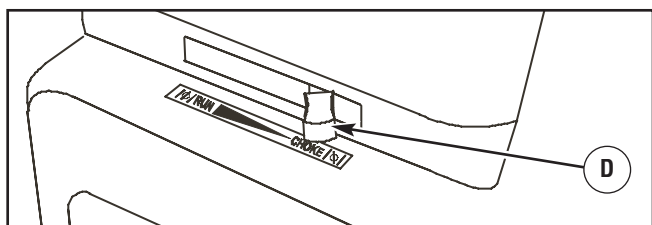
Modèle 073024 — Tournez la vanne de combustible blanche à la position "On".



3. Poussez l'interrupteur ON/OFF (B) sur "On".
4. Placez le levier du régime du moteur (C) à la position "Rapide" (↻).



5. Placez le levier d'étrangleur (D) à la position "Étrangler" (| \ |).



6. Prenez la poignée du lanceur et tirez-la jusqu'à ce que vous sentiez une légère résistance. Tirez alors rapidement sur la poignée pour dépasser la résistance de la compression, empêcher les effets de recul et démarrer le moteur.



### AVERTISSEMENT



Un effet de recul (rétroaction rapide) de la corde du démarreur pourrait entraîner des blessures corporelles. L'effet de recul tirera votre main et votre bras vers le moteur plus rapidement que vous ne pouvez relâcher la corde.

Vous risquez ainsi de subir des fractures, des ecchymoses ou des entorses.

- Lors du démarrage du moteur, tirez lentement sur la corde jusqu'à ce que vous sentiez une résistance et tirez alors rapidement afin d'éviter un effet de recul.

**IMPORTANT:** Si le moteur se noie, placez le levier d'étrangleur en position "Marche" (| ↑ |) et tirez plusieurs fois sur la poignée jusqu'à ce que le moteur démarre.

7. Déplacez le levier d'étrangleur en position "Marche" (| ↑ |) un peu à la fois durant quelques secondes quand il fait chaud ou durant quelques minutes quand il fait froid. Laissez le moteur tourner en douceur avant chaque changement. Faites fonctionner la pompe avec l'étrangleur en position "Marche" (| ↑ |).

**IMPORTANT:** Il faudra peut-être quelques minutes avant que la pompe à résidus ne commence à pomper de l'eau.

Le débit de la pompe est contrôlé en réglant le régime du moteur. Déplacer le levier du régime du moteur vers la position "Rapide" (↻) augmentera le débit de la pompe et le déplacer vers la position "Lent" (↻) diminuera le débit de la pompe.



### AVERTISSEMENT



Tout contact avec la zone du silencieux peut causer des brûlures graves.



La chaleur et les gaz d'échappement peuvent enflammer des matériaux combustibles et les structures ainsi que causer des dommages au réservoir d'essence et entraîner un incendie.

- NE touchez PAS aux pièces chaudes et évitez le contact avec les gaz d'échappement.
- Laissez l'équipement refroidir avant de le toucher.
- Laissez un dégagement d'au moins 1,5 m (5 pi) tout autour de la pompe à résidus, y compris au-dessus.

### Arrêt de la pompe à résidus

1. Placez le levier du régime du moteur à la position "Lent" (↻).
2. Poussez l'interrupteur ON/OFF sur la position "Off".
3. Tournez la vanne de combustible blanche à la position "Off".



### AVERTISSEMENT



Des explosions dans le silencieux, un incendie ou des dommages au moteur peuvent survenir.

- N'arrêtez PAS le moteur en plaçant le levier d'étrangleur à la position "Étrangler".

## Après chaque utilisation

L'eau ne doit pas demeurer dans la chambre de la pompe durant une longue période de temps. Des sédiments et des minéraux pourraient s'accumuler sur les pièces de la pompe et entraîner une performance médiocre de la pompe. Suivez la procédure suivante après chaque utilisation :

1. Arrêtez le moteur conformément aux directives de Arrêt de la pompe à résidus.
2. Débranchez le câble de bougie de la bougie et placez-le à un endroit où il ne peut entrer en contact avec la bougie.



### AVERTISSEMENT



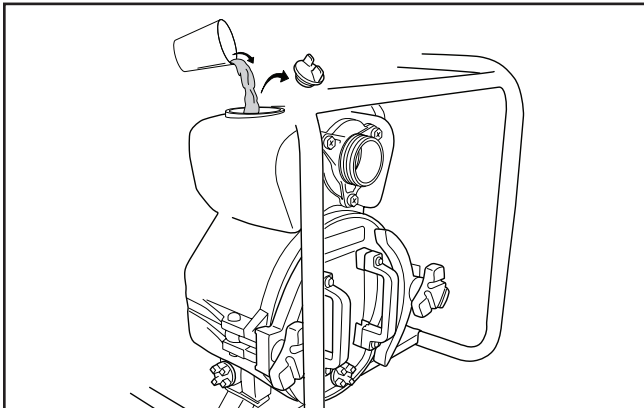
Unintentional peut résulter dans feu ou électrique.



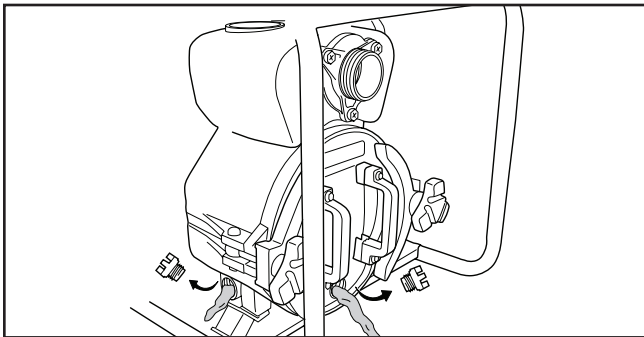
- NE démarrez JAMAIS le moteur lorsque la bougie d'allumage est enlevée.

3. Débranchez et vidangez les boyaux d'aspiration et d'évacuation.
4. Enlevez le bouchon de l'amorceur fixé sur le dessus de la pompe et remplissez d'eau.

Fonctionnement

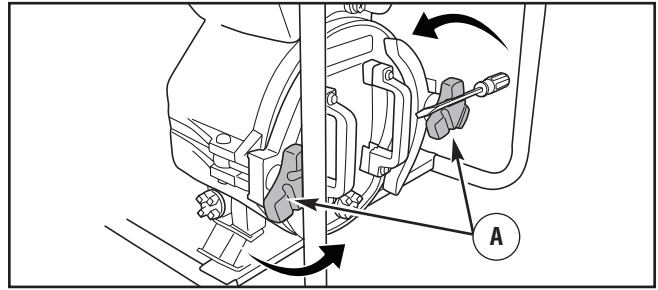


5. Enlevez les deux bouchons de vidange au bas de la pompe.

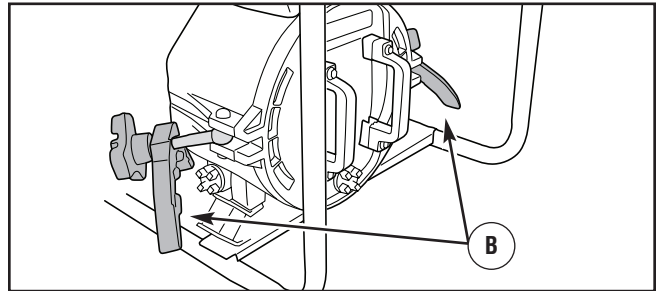


6. Revissez tous les bouchons et serrez-les à la main.

7. Desserrez les deux grands boutons triangulaires (A), en insérant un outil dans les rainures des boutons afin de faciliter l'effet de levier.

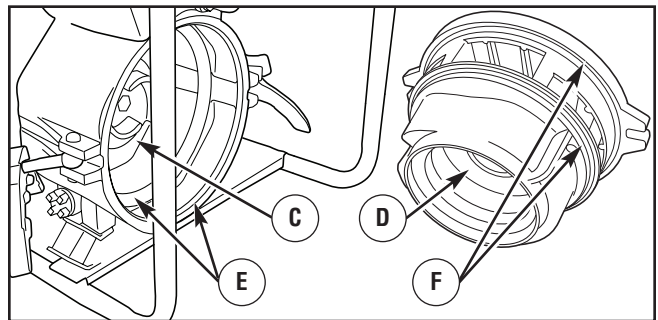


8. Basculez les attaches de la plaque de recouvrement (B) vers le côté.



9. Retirez la plaque de recouvrement de la chambre de la pompe.

10. Nettoyez les débris accumulés à l'intérieur de la tête de pompe (C) et la volute (D). La volute est boulonnée à l'intérieur de la tête de pompe et son retrait ne devrait pas être nécessaire. Vous pouvez utiliser un boyau d'arrosage pour nettoyer ces deux zones.



11. Pour assurer une bonne étanchéité, nettoyez les surfaces d'étanchéité (E) dans la chambre de pompe et les joints toriques de la plaque de recouvrement (F) avant de replacer la plaque de recouvrement.

12. Remplacez la plaque de recouvrement avec le bouchon de vidange au bas.

13. Remplacez les attaches de la plaque de recouvrement vers l'avant, en les fixant solidement sur la plaque de recouvrement.

14. Vissez les deux grands boutons triangulaires en insérant un outil dans les rainures des boutons afin de les serrer solidement.



# Entretien

## Calendrier d'entretien

Respectez le calendrier d'entretien du nettoyeur selon le nombre d'heures de fonctionnement ou le temps écoulé, le premier des deux prévalant. Un entretien plus fréquent est requis lors d'une utilisation dans des conditions défavorables telles qu'indiquées ci-dessous.

<b>5 premières heures</b>
• Changement d'huile à moteur
<b>Aux 8 heures ou quotidiennement</b>
• Nettoyez les débris
• Vérifier le niveau d'huile
<b>Aux 25 heures ou 1 fois l'an</b>
• Faire l'entretien du filtre à air <sup>1</sup>
<b>Aux 50 heures ou 1 fois l'an</b>
• Changement d'huile à moteur <sup>1</sup>
• Faire l'entretien du pare-étincelles
<b>Aux 100 heures ou 1 fois l'an</b>
• Faire l'entretien des bougie d'allumage
• Nettoyez le système de refroidissement <sup>1</sup>
<b>Aux 250 heures ou 1 fois l'an</b>
• Vérifier le jeu des soupapes <sup>2</sup>

<sup>1</sup> Remplacez les pièces plus fréquemment si vous utilisez l'appareil dans un milieu sale ou poussiéreux.

<sup>2</sup> Modèle 073024 seulement.

## Recommandations générales

Un entretien régulier améliorera la performance et prolongera la durée de vie de la pompe à résidus. Consultez un détaillant autorisé Briggs & Stratton pour l'entretien.

La garantie de la pompe à résidus ne couvre pas les éléments soumis à l'abus ou à la négligence de l'opérateur. Pour qu'elle soit entièrement valide, l'opérateur doit entretenir la pompe à résidus conformément aux instructions contenues dans ce manuel.

Certains ajustements devront être faits périodiquement pour assurer un entretien adéquat de la pompe à résidus.

Il faut effectuer toutes les opérations d'entretien et les réglages au moins une fois par saison. Suivez les instructions du Calendrier d'entretien ci-dessus.

**REMARQUE:** Une fois par année, vous devez nettoyer ou remplacer la bougie d'allumage et remplacer le filtre à air. Une nouvelle bougie d'allumage et un filtre à air propre permettent d'assurer que le mélange essence-air est adéquat en plus de contribuer au meilleur fonctionnement de votre moteur et d'augmenter sa durée de vie.

## Entretien du pompe à résidus

L'entretien consiste à garder la pompe à résidus propre. Entreposez l'unité dans un environnement propre et sec où elle ne sera pas exposée à une poussière, saleté, humidité excessive ni à des vapeurs corrosives. Les fentes de refroidissement du moteur de la pompe à résidus ne doivent pas être obstruées par de la saleté, des feuilles ou d'autres corps étrangers.

**REMARQUE:** N'utilisez PAS de boyau d'arrosage pour nettoyer le moteur de la pompe à résidus. L'eau peut entrer dans le système d'alimentation et causer des problèmes.

## Nettoyage



À tous les jours ou avant de l'utiliser, regardez autour ou sous la pompe s'il y a des signes de fuites d'huile ou d'essence. Nettoyez les débris accumulés à l'intérieur et à l'extérieur de la pompe à résidus. Gardez toujours la tringlerie, le ressort et les autres commandes du moteur propres. Gardez la zone autour et derrière le silencieux libre de débris combustibles. Utilisez une faible pression d'air (25 psi au maximum) pour souffler les saletés. Inspectez les fentes de refroidissement et les orifices de la pompe à résidus. Ces ouvertures doivent demeurer propres et non obstruées. Les parties du moteur doivent être gardées propres afin de réduire le risque de surchauffe et d'inflammation des débris accumulés.

- Utilisez un linge humide pour nettoyer les surfaces extérieures.
- Utilisez une brosse à soies douces pour détacher les accumulations de saletés ou d'huile.
- Utilisez un aspirateur pour ramasser les saletés et débris.

Enlevez les dépôts de vase et de boue dans le corps de la pompe :

- Suivez les directives de *Rincer et vidanger la pompe à résidus et nettoyer la tête de pompe.*

## Entretien du moteur

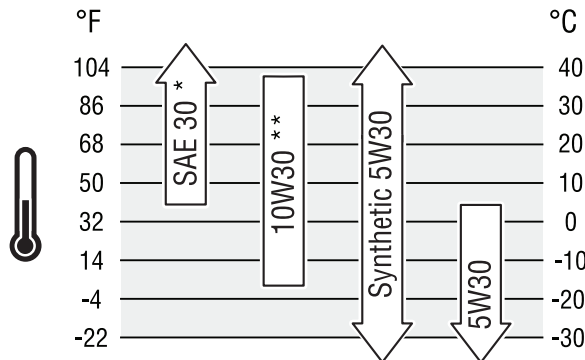
 <b>AVERTISSEMENT</b>	
 	Unintentional peut résulter dans feu ou électrique.
<b>LORSQUE VOUS RÉGLEZ OU RÉPAREZ VOTRE POMPE À EAU</b>	
• Débranchez toujours le câble de bougie et placez-le de façon à ce qu'il ne soit pas en contact avec la bougie.	
<b>LORS DE TESTS D'ALLUMAGE DU MOTEUR</b>	
• Utilisez un vérificateur de bougies d'allumage approuvé.	
• NE vérifiez PAS l'allumage lorsque la bougie d'allumage est enlevée.	

## Huile

### Recommandations relatives à l'huile

Nous recommandons l'utilisation des huiles certifiées par garantie Briggs & Stratton pour obtenir une meilleure performance. Les autres huiles détergentes de haute qualité sont acceptables si elles ont les cotes pour service SF, SG, SH, SJ ou plus. N'utilisez pas d'additifs spéciaux.

Les températures extérieures déterminent la viscosité de l'huile requise pour le moteur. Utilisez le tableau pour choisir la meilleure viscosité pour la gamme de températures extérieures attendues.



\* Sous 40°F (4°C), l'utilisation d'une huile SAE 30 entraîne un démarrage difficile.

\*\* Au-dessus de 80°F (27°C), l'utilisation d'une huile 10W30 peut entraîner une consommation d'huile plus élevée. Vérifiez fréquemment le niveau d'huile.



**REMARQUE :** L'huile synthétique respectant la marque d'homologation ILSAC GF-2, API et portant le symbole d'entretien API (montré à la gauche) avec la mention « SJ/CF (économie d'énergie) » ou plus, est une huile acceptable pour toutes les températures. L'utilisation d'huile synthétique ne modifie pas les intervalles de changement d'huile.

### Vérification du niveau d'huile

Il est nécessaire de vérifier le niveau d'huile avant chaque utilisation ou après chaque période de 8 heures d'utilisation. Gardez un niveau d'huile constant.

1. Assurez-vous que pompe à résidus se trouve sur une surface de niveau.
2. Enlevez le bouchon de remplissage d'huile et essuyez avec un linge.
3. Vérifiez que l'huile est sur le point de déborder par l'orifice de remplissage.
4. Remplacez-la et resserrez-la.

### Ajout d'huile

1. Assurez-vous que pompe à résidus se trouve sur une surface de niveau.
2. Vérifiez le niveau d'huile de la manière décrite dans la rubrique *Vérification du niveau d'huile*.

3. Au besoin, videz lentement l'huile dans l'orifice de remplissage d'huile, jusqu'à ce qu'elle déborde par l'orifice du couvercle de remplissage d'huile.
4. Remplacez-la et resserrez-la.

### Vidange de l'huile moteur

Changez l'huile après la première période de 5 heures d'utilisation. Par la suite, changez l'huile après chaque période de 50 heures d'opération. Si vous utilisez votre pompe à résidus dans des endroits très sales ou poussiéreux ou dans des conditions de chaleur intense, changez alors l'huile plus fréquemment.



### MISE EN GARDE

Évitez tout contact cutané prolongé ou répété avec l'huile moteur usagée.

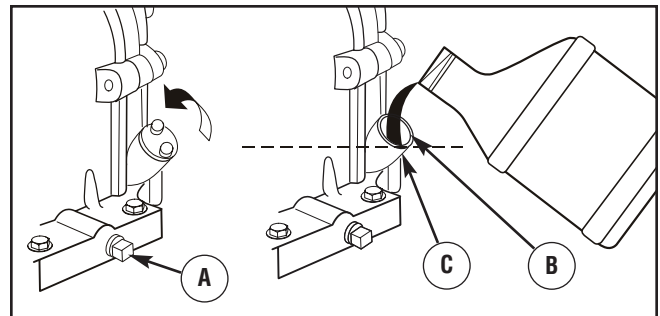
- Il a été démontré que l'huile moteur usagée risque de provoquer un cancer de la peau chez certains animaux de laboratoire.
- Rincez consciencieusement les zones exposées avec de l'eau et du savon.



CONSERVER HORS DE LA PORTÉE DES ENFANTS. NE PAS POLLUER. PRÉSERVER LES RESSOURCES. RETOURNER LA VIEILLE HUILE DANS DES CENTRES DE RÉCUPÉRATION.

Changez l'huile alors que le moteur est encore chaud, de la façon suivante:

1. Assurez-vous que l'unité se trouve sur une surface de niveau.
2. Débranchez le câble de bougie de la bougie et placez-le à un endroit où il ne peut entrer en contact avec la bougie.
3. Nettoyez la surface autour du bouchon de vidange d'huile (A). Le bouchon de vidange d'huile se trouve au bas du moteur, à l'opposé du carburateur.



4. Dévissez le bouchon de vidange d'huile et vidangez complètement l'huile dans un contenant approprié.
5. Réinstallez le bouchon de vidange d'huile et serrez le solidement. Retirez le couvercle de l'orifice de remplissage d'huile.
6. Videz lentement de l'huile dans l'orifice de remplissage d'huile (B), jusqu'à ce qu'elle déborde (C) par l'orifice du couvercle de remplissage d'huile. NE remplissez PAS trop le carter d'huile.

7. Revissez le couvercle de l'orifice de remplissage d'huile. Serrez-le fermement à la main.
8. Essayez tout déversement d'huile.

### Entretien du filtre à air

Votre moteur ne fonctionnera pas adéquatement et pourrait s'endommager si vous le faites fonctionner avec un filtre à air sale.

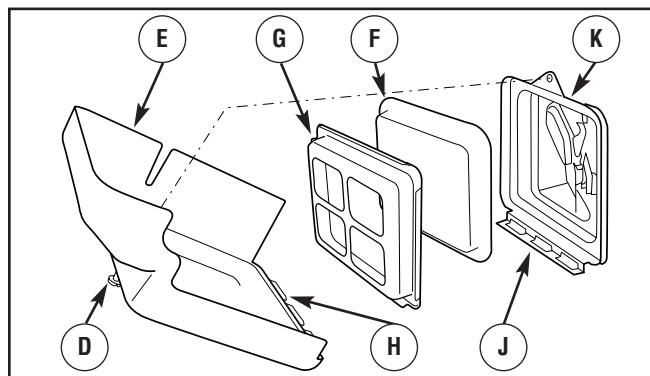
Faites l'entretien du filtre à air après toutes les 25 heures d'utilisation ou une fois par an, le premier des deux prévalant. Remplacez le filtre plus souvent si vous utilisez le nettoyeur dans un endroit sale ou poussiéreux.

 <b>AVERTISSEMENT</b>	
	L'essence et ses vapeurs sont extrêmement inflammables et explosives.
	Le feu ou l'explosion risque de provoquer des blessures graves, pouvant être fatales.
<ul style="list-style-type: none"> <li>• NE démarrez JAMAIS ou faire fonctionner le moteur sans son filtre à air ou si le filtre à air en mousse est retiré.</li> </ul>	

<b>AVIS</b>	
N'utilisez PAS d'air comprimé ou de solvants pour nettoyer le filtre à air en mousse.	
<ul style="list-style-type: none"> <li>• L'air comprimé peut endommager le filtre à air en mousse; les solvants peuvent dissoudre le filtre à air en mousse.</li> </ul>	

Pour faire l'entretien du filtre à air, procédez comme suit:

1. Dévissez la vis (D) et ouvrez le couvercle (E).



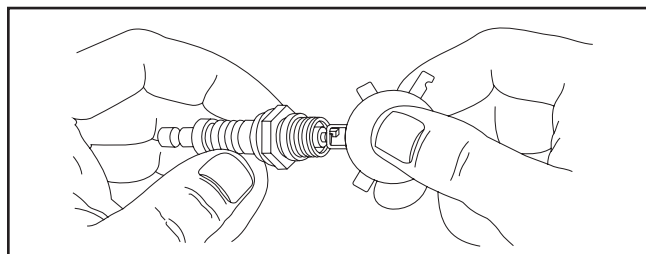
2. Retirez le filtre à air en mousse du couvercle.
3. Retirez avec soin le filtre à air en mousse (F) de la plaque du filtre à air (G).
4. Nettoyez le filtre à air en mousse dans un mélange de détergent liquide et d'eau. Pour sécher, compressez le filtre à air en mousse dans un linge propre.
5. Saturer le filtre à air en mousse d'huile à moteur propre. Pour enlever l'huile excédentaire, compressez le filtre à air en mousse dans un linge propre.
6. Remplacez le filtre à air en mousse nettoyé et huilé dans la plaque du filtre à air.

7. Installez le filtre à air en mousse fermement dans le couvercle.
8. Insérez les pattes (H) du couvercle dans les fentes (J) inférieures de la base (K).
9. Refermez le couvercle et serrez fermement la vis sur la base.

### Entretien de la bougie d'allumage

Changez la bougie d'allumage à toutes les 100 heures d'utilisation ou une fois par an, le premier des deux prévalant. Ainsi, le moteur démarrera plus facilement et fonctionnera mieux.

1. Nettoyez la surface autour de la bougie d'allumage.
2. Enlevez la bougie d'allumage et examinez-la.
3. Vérifiez l'écartement des électrodes à l'aide d'une jauge d'épaisseur et si nécessaire, réglez l'écartement à 0,76 mm (0,03 po).






4. Si les électrodes sont usées ou si la porcelaine est craquée ou écaillée. Utilisez la bougie de remplacement recommandée. Consultez *Spécifications*.
5. Installez la bougie d'allumage et serrez-la solidement.

### Nettoyage de l'écran pare-étincelles

Si vous utilisez votre pompe à résidus sur un terrain boisé, couvert de broussailles ou gazonné non défriché, vous devez avoir un pare-étincelles. Le propriétaire/opérateur doit conserver le pare-étincelles en bon état.

Si le moteur fonctionne depuis un certain temps, le silencieux peut être très chaud. Laissez le silencieux refroidir avant d'effectuer l'entretien du pare-étincelles.

 <b>AVERTISSEMENT</b>	
	Tout contact avec la zone du silencieux peut causer des brûlures graves.
	La chaleur et les gaz d'échappement peuvent enflammer des matériaux combustibles et les structures ainsi que causer des dommages au réservoir d'essence et entraîner un incendie.
<ul style="list-style-type: none"> <li>• NE touchez PAS aux pièces chaudes et évitez le contact avec les gaz d'échappement.</li> <li>• Laissez l'équipement refroidir avant de le toucher.</li> <li>• Laissez un dégagement d'au moins 1,5 m (5 pi) tout autour de la pompe à résidus, y compris au-dessus.</li> </ul>	

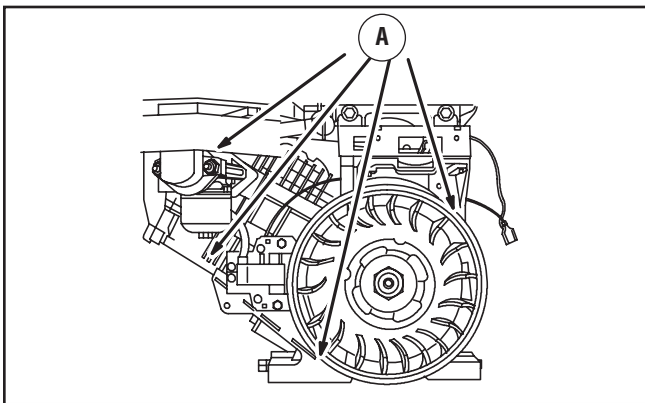
Entretien

1. Enlevez l'écran de pare-étincelles pour procéder au nettoyage et à l'inspection.
2. Vérifiez l'écran et remplacez-le s'il est tordu, troué ou autrement endommagé. N'utilisez PAS un écran défectueux. Si l'écran n'est pas endommagée, nettoyez-le avec du dissolvant commercial.
3. Remplacez l'écran de pare-étincelles sur le silencieux.

**REMARQUE:** Vous pouvez acheter un nouvel écran de pare-étincelles en contactant votre local centre de maintenance de Briggs & Stratton.

### Système de refroidissement à air

Avec le temps, les débris peuvent s'accumuler dans les ailettes de refroidissement du cylindre et ne peuvent être repérés que par un désassemblage partiel du moteur. Nous vous recommandons donc de demander à un distributeur de service qualifié de nettoyer le système de refroidissement (A) aux intervalles recommandés (consultez la section *Calendrier d'entretien* figurant au début de la section *Entretien*). Il est aussi important de garder la partie supérieure du moteur libre de débris. Consultez *Nettoyage des débris*.



### Vérification du jeu des soupapes (073024)

La vérification et le réglage réguliers du jeu des soupapes améliorent la performance et prolonge la durée de vie du moteur. Cette procédure ne peut être effectuée sans un désassemblage partiel du moteur et le recours à des outils spéciaux. Nous vous recommandons donc de demander à un détaillant autorisé de vérifier et de régler le jeu des soupapes à toutes les 250 heures ou aux intervalles recommandés (consultez la section *Calendrier d'entretien* figurant à la section *Entretien*).

## Entreposage

Il est préférable de démarrer la pompe à résidus au moins une fois tous les sept jours et de la laisser fonctionner durant au moins 30 minutes. Si cela n'est pas possible et que vous devez l'entreposer durant plus de 30 jours, suivez les directives ci-après pour préparer l'unité en vue de l'entreposage.

### Directives d'entreposage à long terme

Pendant la période d'entreposage, il est important d'empêcher la formation de dépôts de gomme dans les parties importantes du système d'alimentation comme le carburateur, le filtre à essence, le tuyau souple de carburant ou le réservoir. De plus, l'expérience a démontré que les carburants à l'alcool (appelés gazohol, éthanol ou méthanol) attire l'humidité, ce qui entraîne la séparation et la formation d'acides durant l'entreposage. Un carburant acide peut endommager le système d'alimentation du moteur pendant l'entreposage.

### Protection du système d'alimentation

*Additif de carburant :*

Le carburant peut être éventé après un entreposage de plus de 30 jours. Un carburant éventé cause la formation de dépôts acides et de gomme dans le système d'alimentation ou sur les pièces essentielles du carburateur. Pour garder l'essence propre, utilisez le stabilisateur d'essence FRESH START™ de Briggs & Stratton, disponible sous forme d'additif liquide ou cartouche de liquide concentré.

Il est inutile de vidanger le carburant du moteur si vous ajoutez un stabilisateur d'essence conformément aux directives. Faites tourner le moteur pendant 2 minutes pour faire circuler le stabilisateur dans le système de carburant. Vous pouvez ensuite entreposer le moteur et l'essence durant une période maximale de 24 mois.

 <b>AVERTISSEMENT</b>	
	L'essence et ses vapeurs sont extrêmement inflammables et explosives.
	Le feu ou l'explosion risque de provoquer des blessures graves, pouvant être fatales.
<b>LORSQUE VOUS ENTREPOSEZ L'ESSENCE OU UN ÉQUIPEMENT AVEC UN RÉSERVOIR À ESSENCE</b>	
<ul style="list-style-type: none"><li>Entreposez-le loin des appareils de chauffage, des fours, des chauffe-eau, des sècheuses ou de tout autre appareil électroménager disposant d'une veilleuse ou de toute autre source d'inflammation risquant d'enflammer les vapeurs d'essence.</li></ul>	
<b>LORS DE L'VIDANGE DU CARBURANT</b>	
<ul style="list-style-type: none"><li>Éteignez le pompe à résidus et laissez-le refroidir au moins 2 minutes avant de retirer le capuchon du réservoir de carburant. Desserrez lentement le capuchon pour laisser la pression s'échapper du réservoir.</li><li>Vidangez le réservoir d'essence à l'extérieur.</li><li>Éloignez l'essence des étincelles, des flammes, des veilleuses, de la chaleur et de toute autre source d'inflammation.</li><li>N'ALLUMEZ PAS de cigarette ou ne fumez pas à proximité de l'appareil.</li></ul>	




Si le carburant du moteur n'a pas été traité avec un stabilisateur d'essence, vous devez le vidanger dans un contenant approuvé. Faites tourner le moteur jusqu'à ce qu'il s'arrête par manque d'essence. Il est recommandé d'utiliser du stabilisateur d'essence dans le contenant d'entreposage pour en conserver la fraîcheur.

### Changement de l'huile

Alors que le moteur est encore chaud, vidangez l'huile du carter. Remplissez le carter à nouveau avec de l'huile de la qualité recommandée. Consultez la section *Changement d'huile*.

### Huilage de l'alésage du cylindre

- Enlevez la bougie d'allumage et versez environ 15 ml (1/2 once) d'huile à moteur neuve dans le cylindre.
- Installez la bougie d'allumage et tirez lentement la poignée du démarreur pour distribuer l'huile.



 <b>AVERTISSEMENT</b>	
 	Unintentional peut résulter dans feu ou électrique.
<ul style="list-style-type: none"><li>Ne tirez JAMAIS la poignée du démarreur si la bougie d'allumage est enlevée.</li></ul>	

### Pompe à résidus

- Vidangez la pompe à résidus de la manière décrite dans *Rinçage et vidange de la pompe à résidus*.
- Nettoyez la pompe à résidus de la façon décrite dans *Nettoyage*.
- Vérifiez si les ouvertures de la pompe à résidus sont ouvertes et libres.

### Autres conseils d'entreposage

- N'entreposez PAS d'essence d'une saison à l'autre à moins qu'elle ne soit traitée tel que décrit dans *Protection du système d'alimentation*.
- Remplacez le contenant à essence s'il commence à rouiller. Un carburant contaminé peut causer des problèmes de moteur.
- Couvrez l'appareil à l'aide d'une housse de protection adéquate qui ne retient pas l'humidité.

 <b>AVERTISSEMENT</b>	
	Les couvertures de rangement peuvent être inflammables.
<ul style="list-style-type: none"><li>NE placez JAMAIS une couverture de rangement sur un pompe à résidus.</li><li>Laissez l'appareil refroidir suffisamment avant de placer la couverture de rangement dessus.</li></ul>	

- Entreposez la pompe à résidus dans un endroit propre et sec.

# Dépannage

Problème	Cause	Solution
Peu ou pas de débit lorsque la pompe fonctionne.	<ol style="list-style-type: none"> <li>1. La pompe n'est pas amorcée.</li> <li>2. Le boyau d'aspiration est obstrué, écrasé, endommagé, trop long ou son diamètre est trop petit.</li> <li>3. Le panier-filtre n'est pas complètement sous l'eau.</li> <li>4. Il y a une fuite d'air au niveau du connecteur du boyau d'aspiration.</li> <li>5. Le panier-filtre est bouché.</li> <li>6. La tête de pompe est obstruée.</li> <li>7. Le boyau d'évacuation est obstrué, endommagé, trop long ou son diamètre est trop petit.</li> <li>8. Hauteur excessive ou marginale.</li> <li>9. Le levier du régime du moteur est à la position "<b>Lent</b>" (☾).</li> </ol>	<ol style="list-style-type: none"> <li>1. Remplir la chambre de pompe avec l'eau et amorcez la pompe.</li> <li>2. Remplacez le boyau d'aspiration.</li> <li>3. Immergez le panier-filtre et l'extrémité du boyau d'aspiration complètement sous l'eau.</li> <li>4. Remplacez la rondelle d'étanchéité si elle est manquante ou endommagée. Serrez le connecteur et la bride du boyau.</li> <li>5. Nettoyez les débris dans le panier-filtre.</li> <li>6. Nettoyez la tête de la pompe. Consultez <i>Après chaque utilisation</i>.</li> <li>7. Remplacez le boyau d'évacuation.</li> <li>8. Changez la pompe et/ou les boyaux d'endroit pour réduire la hauteur.</li> <li>9. Déplacez le levier du régime du moteur à la position "<b>Rapide</b>" (☀).</li> </ol>
Le moteur ne démarre pas; manque de puissance; démarre et a des ratés; ou a des "à-coups" ou des hésitations.	<ol style="list-style-type: none"> <li>1. Interrupteur à bascule réglé sur "<b>Off</b>".</li> <li>2. Vanne de combustible en position "<b>Off</b>".</li> <li>3. Filtre à air encrassé.</li> <li>4. Panne d'essence.</li> <li>5. Essence éventée ou contaminée ou eau dans l'essence.</li> <li>6. Câble de bougie non branché à la bougie d'allumage.</li> <li>7. Bougie défectueuse.</li> <li>8. Trop grande quantité d'essence dans le mélange air/essence, ce qui "noie" le moteur.</li> <li>9. L'ajustement du carburateur n'est pas adéquat.</li> </ol>	<ol style="list-style-type: none"> <li>1. Réglez l'interrupteur sur "<b>On</b>".</li> <li>2. Tournez la vanne de combustible à la position "<b>On</b>".</li> <li>3. Nettoyez ou remplacez le filtre à air.</li> <li>4. Attendez deux minutes et remplissez le réservoir d'essence.</li> <li>5. Vidangez le réservoir et le carburateur; faites le plein avec de l'essence nouvelle.</li> <li>6. Branchez le fil à la bougie.</li> <li>7. Remplacez la bougie.</li> <li>8. Attendez 5 minutes et redémarrez le moteur.</li> <li>9. Contactez un centre de service autorisé.</li> </ol>
Le moteur s'arrête quand il fonctionne.	Panne d'essence.	Attendez deux minutes et remplissez le réservoir d'essence.

## GARANTIE DU PROPRIÉTAIRE D'UNE POMPE À EAU DE BRIGGS & STRATTON POWER PRODUCTS GROUP, LLC

À partir du 1er février 2006, la présente garantie remplace toute garantie non datée et toute garantie dont la date est antérieure au 1er février 2006.

### GARANTIE LIMITÉE

Briggs & Stratton Power Products Group, LLC réparera ou remplacera, sans frais, toutes pièces défectueuses de la pompe à eau comportant un vice de matériau ou un défaut de fabrication ou les deux. En vertu de la présente garantie, les frais de transport des produits soumis pour réparation ou remplacement sont à la charge de l'acheteur. La présente garantie sera en vigueur durant les périodes stipulées ci-dessous et est assujettie aux conditions stipulées ci-dessous. Pour obtenir des services en vertu de la garantie, veuillez consulter notre Outil de recherche d'un Service après-vente agréé au <http://www.BRIGGSandSTRATTON.COM> afin de trouver un distributeur de service après-vente agréé dans votre région.

IL N'EXISTE AUCUNE AUTRE GARANTIE EXPRESSE. LES GARANTIES IMPLICITES, INCLUANT CELLES DE QUALITÉ MARCHANDE ET D'ADAPTATION À UN USAGE PARTICULIER, SONT LIMITÉES À UNE PÉRIODE D'UN AN À PARTIR DE LA DATE D'ACHAT OU JUSQU'À LA LIMITE PERMISE PAR LA LOI, TOUTE GARANTIE IMPLICITE EST EXCLUE. LA RESPONSABILITÉ POUR DOMMAGES ACCESSOIRES OU INDIRECTS EST EXCLUE DANS LA MESURE OÙ UNE TELLE EXCLUSION EST PERMISE PAR LA LOI. Certains États/provinces ou pays n'autorisent aucune restriction sur la durée d'une garantie implicite, et certains États/provinces ou pays n'autorisent pas l'exclusion ou la limitation des dommages consécutifs ou indirects. Par conséquent, les restrictions et exclusions décrites ci-dessus pourraient ne pas s'appliquer dans votre cas. La présente garantie vous accorde certains droits légaux spécifiques et vous pourriez également en avoir d'autres, qui peuvent varier d'un État ou d'une province à l'autre et d'un pays à l'autre.

### PÉRIODE DE GARANTIE

Usage par un consommateur	2 an
Usage à des fins commerciales	2 an

La période de garantie débute à la date d'achat par le premier acheteur au détail ou par le premier utilisateur commercial final, et se prolonge pour la durée stipulée ci-dessus. " Usage par un consommateur " signifie utilisation domestique personnelle dans une résidence, par l'acheteur au détail. " Usage à des fins commerciales " signifie toute autre utilisation, y compris à des fins commerciales, de génération de revenus ou de location. Aux fins de la présente garantie, dès qu'un équipement a été utilisé commercialement une fois, il est par la suite considéré comme étant d'usage à des fins commerciales.

POUR EXERCER LA GARANTIE SUR TOUT PRODUIT FABRIQUÉ PAR BRIGGS & STRATTON, IL N'EST PAS NÉCESSAIRE DE L'ENREGISTRER. CONSERVEZ LE REÇU COMME PREUVE D'ACHAT. SI, LORS D'UNE RÉCLAMATION DE GARANTIE, VOUS NE POUVEZ PROUVER LA DATE INITIALE DE L'ACHAT, NOUS UTILISERONS LA DATE DE FABRICATION DU PRODUIT COMME DATE DE RÉFÉRENCE POUR DÉTERMINER LA PÉRIODE DE GARANTIE.

### À PROPOS DE LA GARANTIE

Nous acceptons de faire effectuer les réparations couvertes par la garantie et tenons à nous excuser pour tout inconvénient subi. Tout agent d'un service après-vente agréé peut exécuter les réparations couvertes par la garantie. La plupart des réparations couvertes par la garantie sont traitées automatiquement; cependant, il arrive parfois que les demandes de service en vertu de la garantie soient non fondées. Par exemple, la garantie ne couvre pas les dommages causés à l'équipement par une utilisation abusive, par un manque d'entretien périodique, durant l'expédition, la manutention ou l'entreposage, ou en raison d'une installation inadéquate. De même, la garantie sera annulée si la date de fabrication ou le numéro de série apposé à la pompe à eau ou au moteur a été enlevé ou si l'équipement a été changé ou modifié. Durant la période de garantie, le distributeur de service après-vente agréé réparera ou remplacera, à son gré, toute pièce qui, après examen, est trouvée défectueuse à la suite d'une utilisation et d'un entretien normaux. La présente garantie ne couvre pas les réparations et les équipements suivants.

- **Usure normale:** Comme tout autre dispositif mécanique, les groupes électrogènes d'extérieur nécessitent l'entretien périodique de certaines pièces pour fonctionner adéquatement. La présente garantie ne couvre pas les frais de réparation des pièces ou des équipements dont la durée de vie utile a été dépassée à la suite d'une utilisation normale.
- **Installation et entretien:** La présente garantie ne couvre pas les équipements ou les pièces qui ont fait l'objet d'une installation ou de modifications et de changements inadéquats ou non autorisés, d'une mauvaise utilisation, de négligence, d'un accident, d'une surcharge, d'emballement, d'entretien inadéquat, de réparation ou d'entreposage qui, selon nous, auraient nui à la performance et à la fiabilité du produit. De plus, la garantie ne couvre pas l'entretien normal tel que les filtres à air, le réglage, le nettoyage du circuit d'alimentation et son obstruction (causée par l'accumulation de produits chimiques, de saletés, etc.).
- **Exclusions supplémentaires:** La présente garantie exclut les pièces qui s'usent tels que les joints d'étanchéité et les joints toriques, etc. La présente garantie exclut également les pompes ayant fonctionné sans alimentation en eau, soumise au gel ou à une détérioration chimique. Cette pompe est garantie pour une utilisation dans des applications reliées à l'eau claire, puisque certains composants subiront une usure accélérée variant selon le pourcentage et le niveau d'abrasion des dépôts passant dans la pompe. Les pièces accessoires telles que les boyaux ou les filtres ne sont pas couvertes par la garantie du produit. Cette garantie exclut toute défaillance due à une catastrophe naturelle ou à toute autre force majeure hors du contrôle du fabricant. 198201F, Rev. B, 12/31/2006

BRIGGS & STRATTON POWER PRODUCTS GROUP, LLC  
JEFFERSON, WI, USA

Français

fr

Garantie



# PROSERIES

## Pompe à résidus

### Caractéristiques du produit

#### Modèle 073023

Diamètre de l'orifice d'aspiration	50 mm (2 po)
Diamètre de l'orifice d'évacuation	50 mm (2 po)
Hauteur totale	35,6 m (117 pi)
Hauteur maximale	
Hauteur géométrique d'aspiration	8 m (25 pi)
Hauteur géométrique d'évacuation	28 m (92 pi)
Capacité maximale d'évacuation	749,5 l (198 gallons américains) par minute
Poids à l'expédition	32 kg (70 lb)
Cylindrée	190 cc (11,57 po)
Écartement des électrodes	0,76 mm (0,030 po)
Capacité du réservoir d'essence	3,78 l (1 gallon américain)
Capacité du carter d'huile	0,6 l (20 onces)

#### Modèle 073024

Diamètre de l'orifice d'aspiration	76 mm (3 po)
Diamètre de l'orifice d'évacuation	76 mm (3 po)
Hauteur totale	35,6 m (117 pi)
Hauteur maximale	
Hauteur géométrique d'aspiration	8 m (25 pi)
Hauteur géométrique d'évacuation	28 m (92 pi)
Capacité maximale d'évacuation	1.200 l (317 gallons américains) par minute
Poids à l'expédition	38 kg (82 lb)
Cylindrée	305 cc (18,64 po)
Écartement des électrodes	0,76 mm (0,030 po)
Capacité du réservoir d'essence	3,78 l (1 gallon américain)
Capacité du carter d'huile	0,83 l (28 onces)

### Pièces d'entretien courant

Filtre à air	696263
Bougie antiparasite	691043
Bouteille d'huile à moteur	100005 ou 100028
Stabilisateur d'essence	100002 ou 5041D

**Puissance nominale:** La puissance nominale brute des modèles avec moteur à essence est indiquée sur une étiquette, conformément au code J1940 (Small Engine Power & Torque Rating Procedure) de la SAE (Society of Automotive Engineers), et la performance nominale a été obtenue et corrigée conformément au code J1995 (révision 05-2002) de la SAE. Les valeurs de couple ont été mesurées à 3 060 tr/min; les valeurs de puissance ont été mesurées à 3 600 tr/min. La puissance brute réelle du moteur sera inférieure et sera affectée, entre autres choses, par les conditions de fonctionnement ambiantes ainsi que par les différents entre moteurs. Étant donné la vaste gamme de produits sur lesquels nos moteurs sont installés, ainsi que la variété de problèmes environnementaux reliés au fonctionnement de l'équipement, il est possible que le moteur à essence que vous avez acheté ne développe pas la puissance nominale brute indiquée lorsqu'il est utilisé pour entraîner un appareil électrique donné (puissance « sur site » ou net réelle). Cette différence est causée par différents facteurs dont, entre autres, les accessoires (filtre à air, échappement, chargement, refroidissement, carburateur, pompe à essence, etc.), les limites de l'appareil, les conditions de fonctionnement ambiante (température, humidité, l'altitude) et les différences entre moteurs. En raison des limites de fabrication et de capacité, Briggs & Stratton peut substituer un moteur de plus grande puissance pour un moteur de cette série.

**Briggs & Stratton Power Products Group, LLC**  
900 N. Parkway  
Jefferson, Wisconsin, 53549 U.S.A.